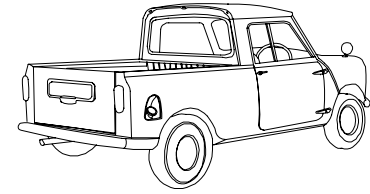
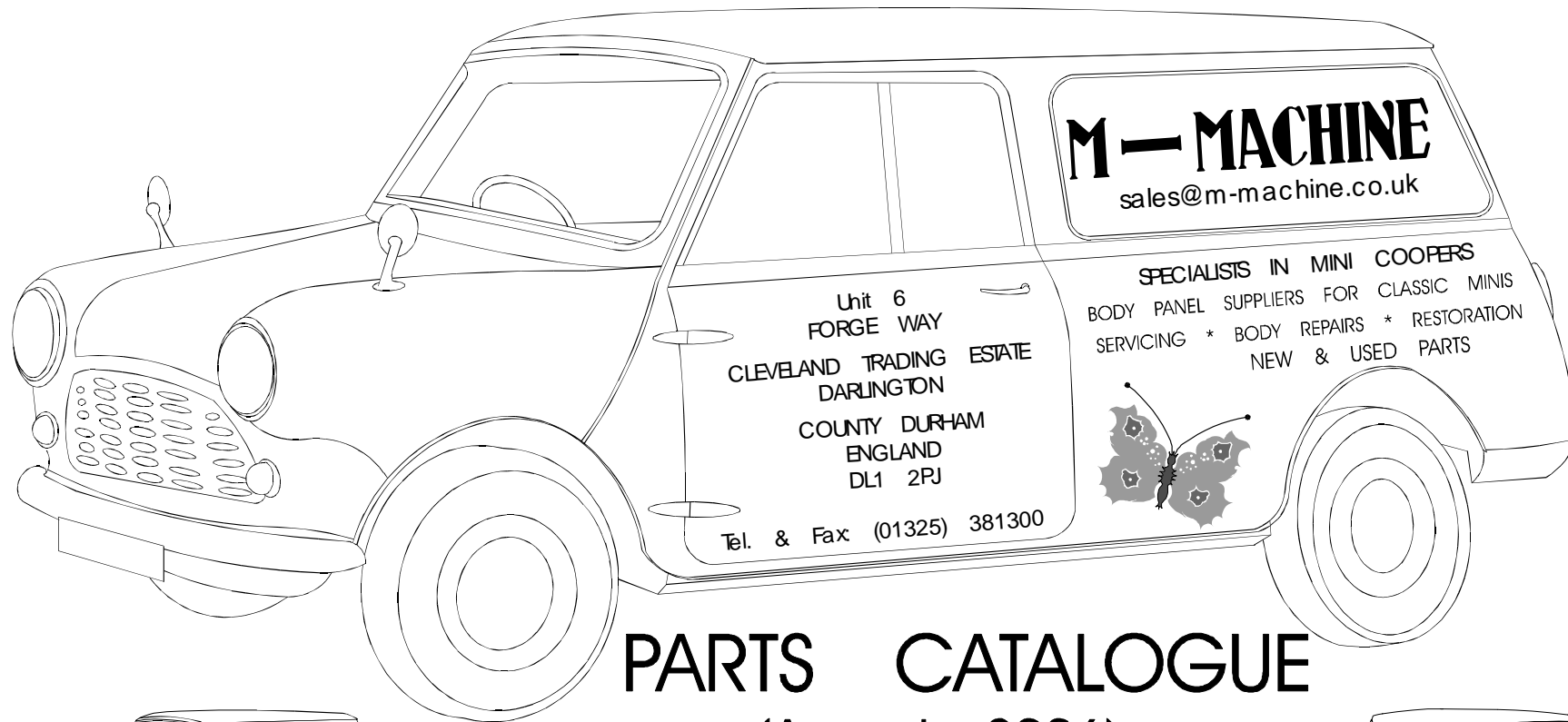


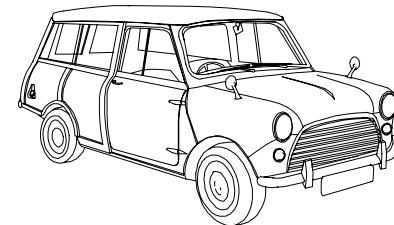
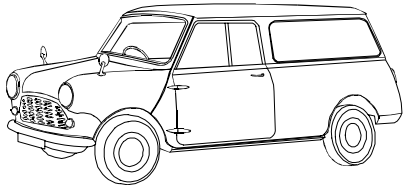
M - MACHINE



(formerly trading as MINI MACHINE)



PARTS CATALOGUE (August 2006)



This catalogue may be reproduced in whole or in part, without permission, subject to the following three conditions .

This catalogue may be reproduced in whole page format only.

The M - Machine name, logo and number, as well as the copyright must show on all copies

This notice must be part of the reproduction and in a readable format.

Reproduction in any other manner requires the written consent of Mini Machine and the copyright holder.

FIRST DIGIT

- 0 - KITS
- 1 - SALLOON
- 2 - TRAVELLER
- 3 - VAN
- 4 - PICK-UP
- 5 - COOPER
- 6 - ELF / HORNET
- 7 - CLUBMAN
- 8 - CLUBMAN ESTATE
- 9 - HARDWARE (nuts, bolts, clips etc.)

SECOND DIGIT

- 0 - SPECIAL PART
- 1 - Mark I
- 2 - Mark II
- 3 - Mark III
- 4 - Mark IV
- 5 - Mark V
- 6 - HYDROLASTIC Mark I
- 7 - HYDROLASTIC Mark II
- 8 - HYDROLASTIC Mark III
- 9 - MARK NOT SPECIFIC

SECOND TWO DIGIT GROUPING

FIRST DIGIT

- 0 - INTERNAL USE ONLY
- 1 - EXTERIOR PANELS
- 2 - ENGINE COMPARTMENT PANELS
- 3 - PASSENGER COMPARTMENT PANELS
- 4 - BOOT/LOAD AREA PANELS
- 5 - STEERING, SUSPENSION, BRAKES
- 6 - DRIVE TRAIN
- 7 - HEATING, COOLING, ELECTRICAL
- 8 - TRIM & MISCELLANEOUS
- 9 - RACE / RALLY, COMPETITION EQUIP.

SECOND DIGIT

This digit forms part of a 3 digit sequential numbering system.

FOURTH TWO DIGIT GROUPING

FIRST DIGIT

This digit is an index to sub-assembly or repair part.

SECOND DIGIT

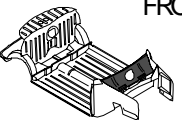
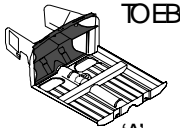
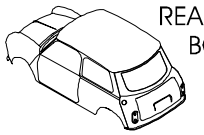
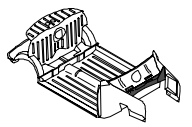
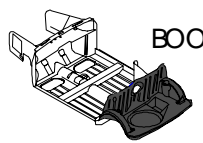
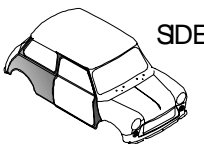
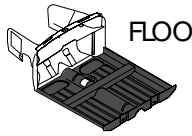
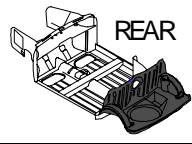
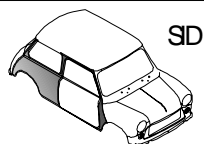
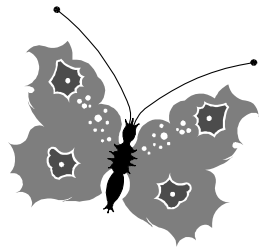
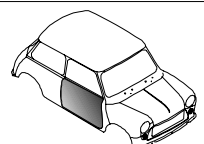
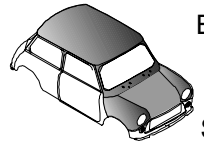
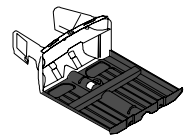

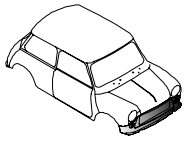
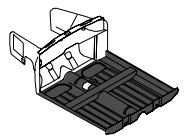
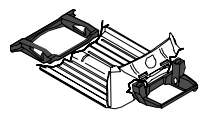
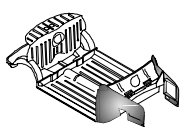
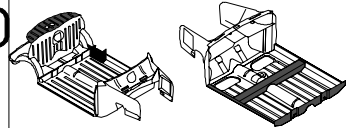
- 0 - ASSEMBLY, UNHANDED
- 1 - ASSEMBLY, LEFT HAND
- 2 - ASSEMBLY, RIGHT HAND
- 3 - SINGLE PART, LEFT HAND
- 4 - SINGLE PART, RIGHT HAND
- 5 - SINGLE PART, UNHANDED
- 6 - REPAIR PANEL, UNHANDED
- 7 - REPAIR PANEL, LEFT HAND
- 8 - REPAIR PANEL, RIGHT HAND
- 9 - REBUILT

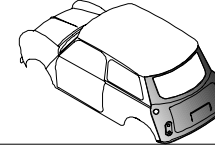
GROUPINGS

- 11.50..... BRAKES
- 11.51..... SUBFRAMES
- 11.52..... FRONT SUSPENSION
- 11.53..... FRONT SUSPENSION
- 11.54..... REAR SUSPENSION
- 11.55..... STEERING
- 11.60..... FUEL
- 11.60.2.. CARBS
- 11.61..... CLUTCH
- 11.62..... GEARBOX
- 11.63..... ENGINE
- 11.68..... DRIVESHAFTS
- 11.69..... EXHAUST
- 11.70..... ENGING COOLING
- 11.71.0.. MISC. ELECTRICAL
- 11.71.1.. WIRING
- 11.71.2.. PANEL SWITCHES
- 11.71.3.. OTHER SWITCHES
- 11.71.4.. START / CHARGE
- 11.71.5.. WIPERS
- 11.71.6.. IGNITION
- 11.71.7.. LAMPS
- 11.71.8.. LAMPS
- 11.72..... HEATER
- 11.75..... INSTRUMENTS

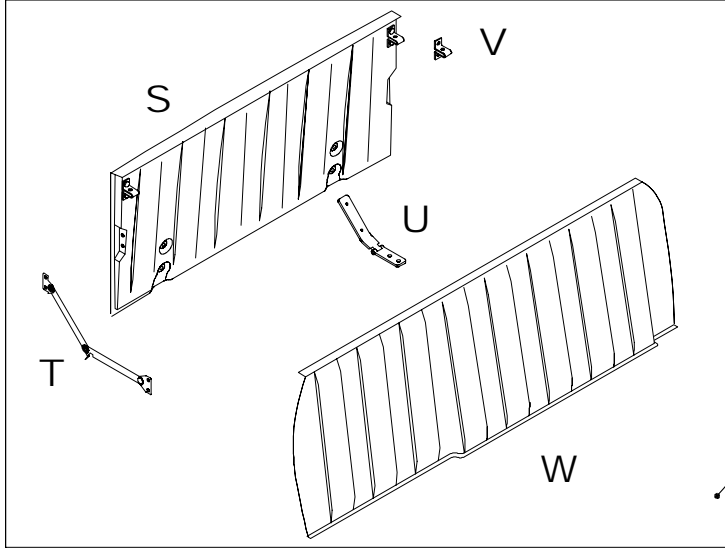
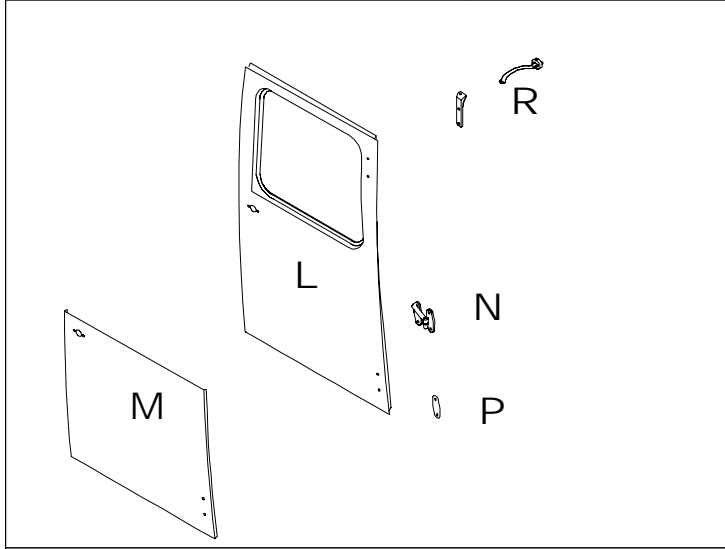
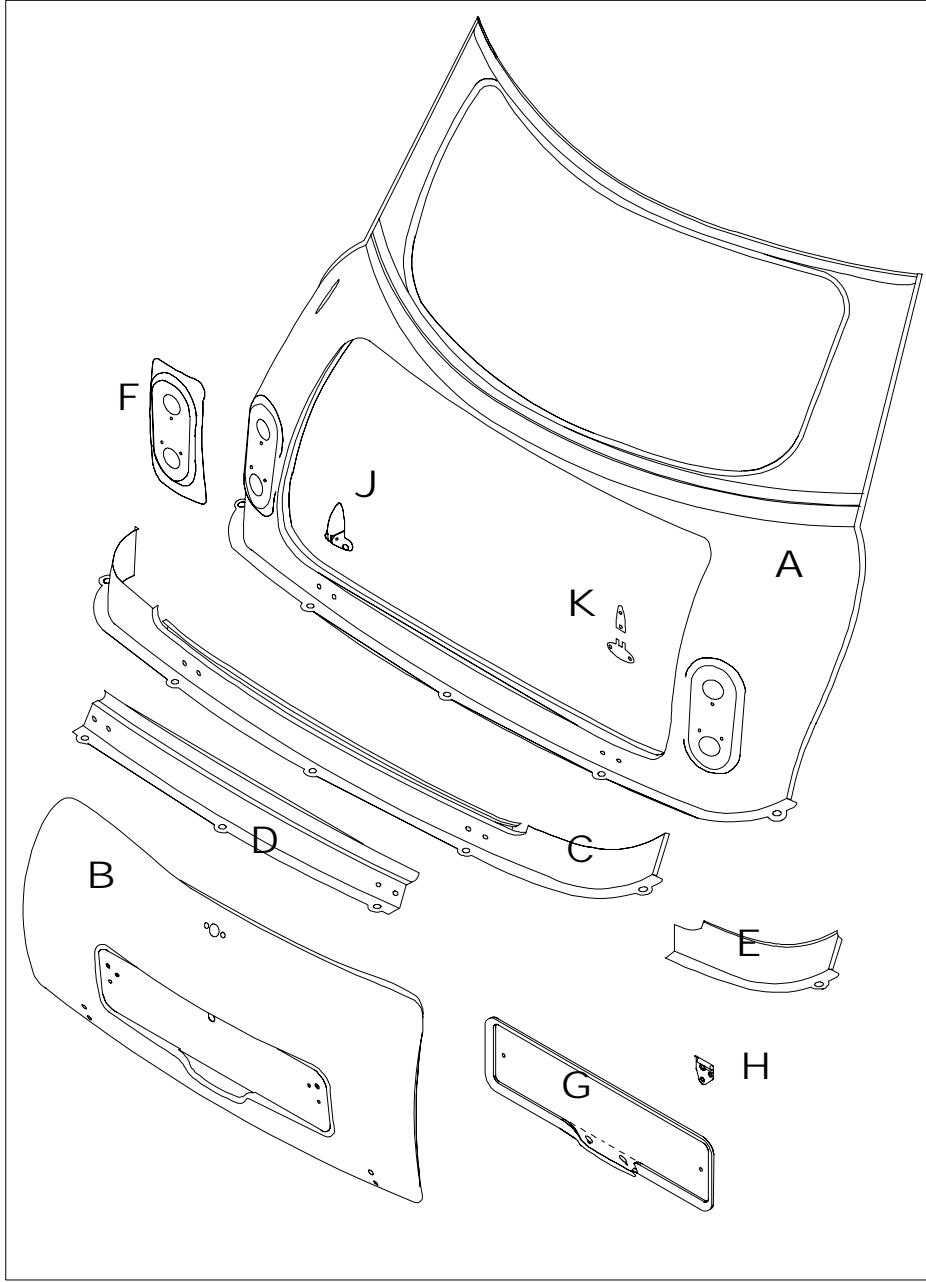


Unit 6, Forge Way, Cleveland Trading Estate
Darlington, Co. Durham, England, DL1 2PJ
Tel. & Fax (01325) 381300
sales@m-machine.co.uk

| | | | |
|--|--|---|--|
| |  FRONT BULKHEAD 220 HEATING & COOLING (See -2) |  TOEBOARD 350 SWITCH PANELS 'A' POST REPAIRS | |
|  REAR PANEL BOOT LID 120 REAR DOORS TAILGATE & CAB BULKHEAD |  230 FRONT BULKHEAD CROSSMEMBER |  BOOT AREA 410 LOAD FLOOR | BODY STANDS -1 BOOT PARTS COMPETITION ACCESSORIES |
|  SIDE REPAIRS 130 |  FLOOR ASSEMBLY 310 FLOOR SECTIONS WITH SILL |  REAR BULKHEAD 420 VAN TANK & VALENCE PIECES LOAD FLOOR ASSY. | COOLING -2 HEATING WIPERS FUEL |
|  SIDE REPAIRS 140 TRAVELLER WOOD P/U BOX FRAME |  <h1>M-MACHINE</h1> <p>Unit 6, Forge Way, Cleveland Trading Estate Darlington, Co. Durham, England, DL1 2PJ Tel. & Fax: (01325) 381300 sales@m-machine.co.uk</p> | | EXHAUST -3 SWITCHES BRAKES |
|  DOORS 150 | | | SUSPENSION -4 STEERING INSTRUMENTS |
|  BONNET WINGS ROOF SCUTTLE 160 |  FLOOR SECTIONS 320 |  SALOON TANKS 430 & REAR VALENCE REAR WHEEL HOUSINGS | ELECTRICS -5 IGNITION LAMPS |
|  FRONT PANELS 170 |  FLAT FLOOR REPAIRS 330 TRAV, VAN, PICK-UP ASSEMBLIES |  510 SUBFRAMES BRAKES (SEE -3) | TRIM -6 BRIGHTWORK FITTINGS |
|  FRONT INNER WINGS 210 |  PARTS 340 WELDED TO FLOOR | | SEALS -7 SPACERS GROMMETS |

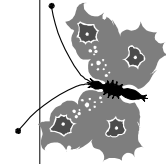


120



Unit 6, Forge Way, Cleveland Trading Estate
Darlington, Co. Durham, England, DL1 2PU
Tel. & Fax (01325) 381300
sales@m-machine.co.uk

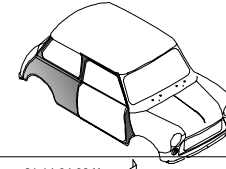
M-MACHINE



m-machine 01325 381300

| | Code | Price | Description | 120 |
|----------|-------------|--------|---|-----|
| B | 11.11.00.00 | 110.00 | Boot Lid Assembly, Open Frame, Mk1, Early | |
| | 12.11.00.00 | P.O.A. | Boot Lid Assembly, Double Skin, Mk1-2 | |
| | 13.11.00.00 | 63.75 | Boot Lid Assembly, Mk3-4 | |
| | 15.11.00.00 | 140.00 | Boot Lid Assembly, 1990 on | |
| | 11.11.01.05 | P.O.A. | Boot Lid Skin, Mk1 | |
| H | 11.11.02.03 | 4.25 | Hinge, Rear Number Plate, Mk1-2, LH | |
| | 11.11.02.04 | 4.25 | Hinge, Rear Number Plate, Mk1-2, RH | |
| G | 11.11.03.05 | 7.50 | Number Plate Hanger, Rear, Mk1-2 | |
| J | 11.11.06.01 | 16.50 | Hinge, Boot Lid, Kk1-5, LH | |
| | 11.11.06.02 | 16.50 | hinge, Boot Lid, Kk1-5, RH | |
| K | 11.11.07.05 | 0.44 | Gasket, Boot lid Hinge, Upper, Mk1-5 | |
| | 11.11.08.05 | 0.44 | Gasket, Boot lid Hinge, Lower, Mk1-5 | |
| A | 11.12.00.00 | P.O.A. | Rear Panel, Mk1 | |
| | 12.12.00.00 | 127.50 | Rear Panel, Mk2 on | |
| | 15.12.00.06 | 93.50 | Rear Panel, Boot Aperture, Mk5 | |
| D | 11.12.00.19 | 22.00 | Boot Hinge Rail, Below Lid, Mk1-5 | |
| C | 11.12.00.29 | 63.85 | Boot Hinge Rail, Extended, Mk1-5 | |
| E | 11.12.00.37 | 5.50 | Lower Corner Repair, Mk1-5, LH | |
| | 11.12.00.38 | 5.50 | lower Corner Repair, Mk1-5, RH | |
| F | 12.12.00.47 | 8.00 | Adaptor to Mk1 Lamp Mounting, Mk2-5, LH | |
| | 12.12.00.48 | 8.00 | Adaptor to Mk1 Lamp Mounting, Mk2-5, RH | |

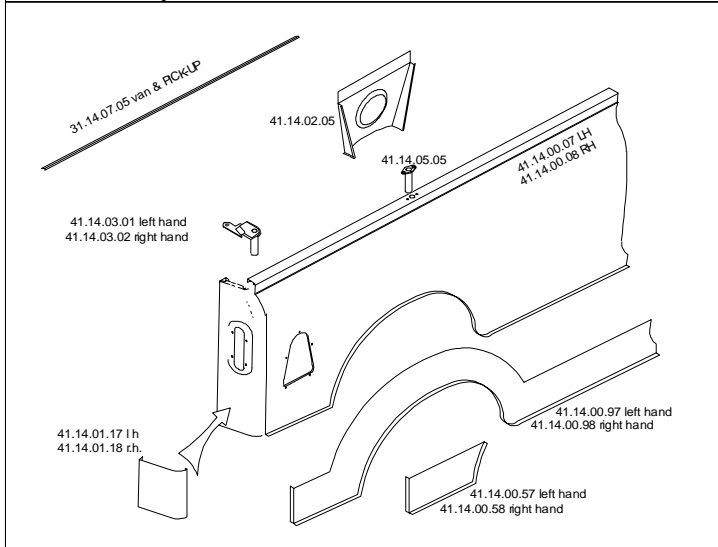
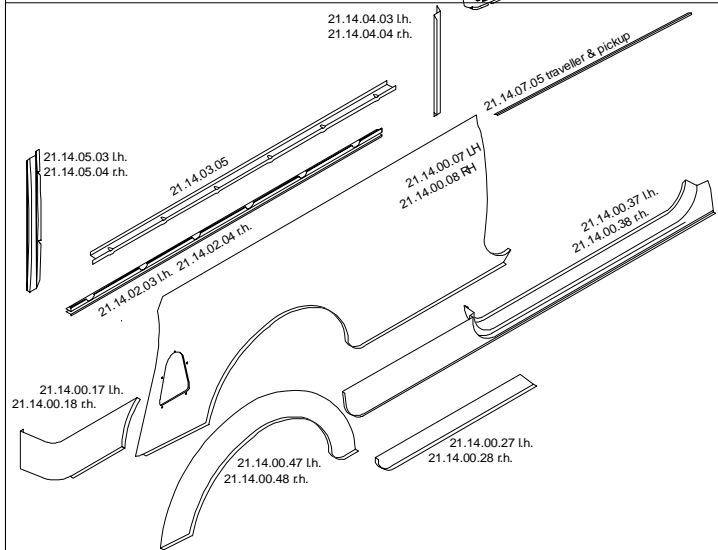
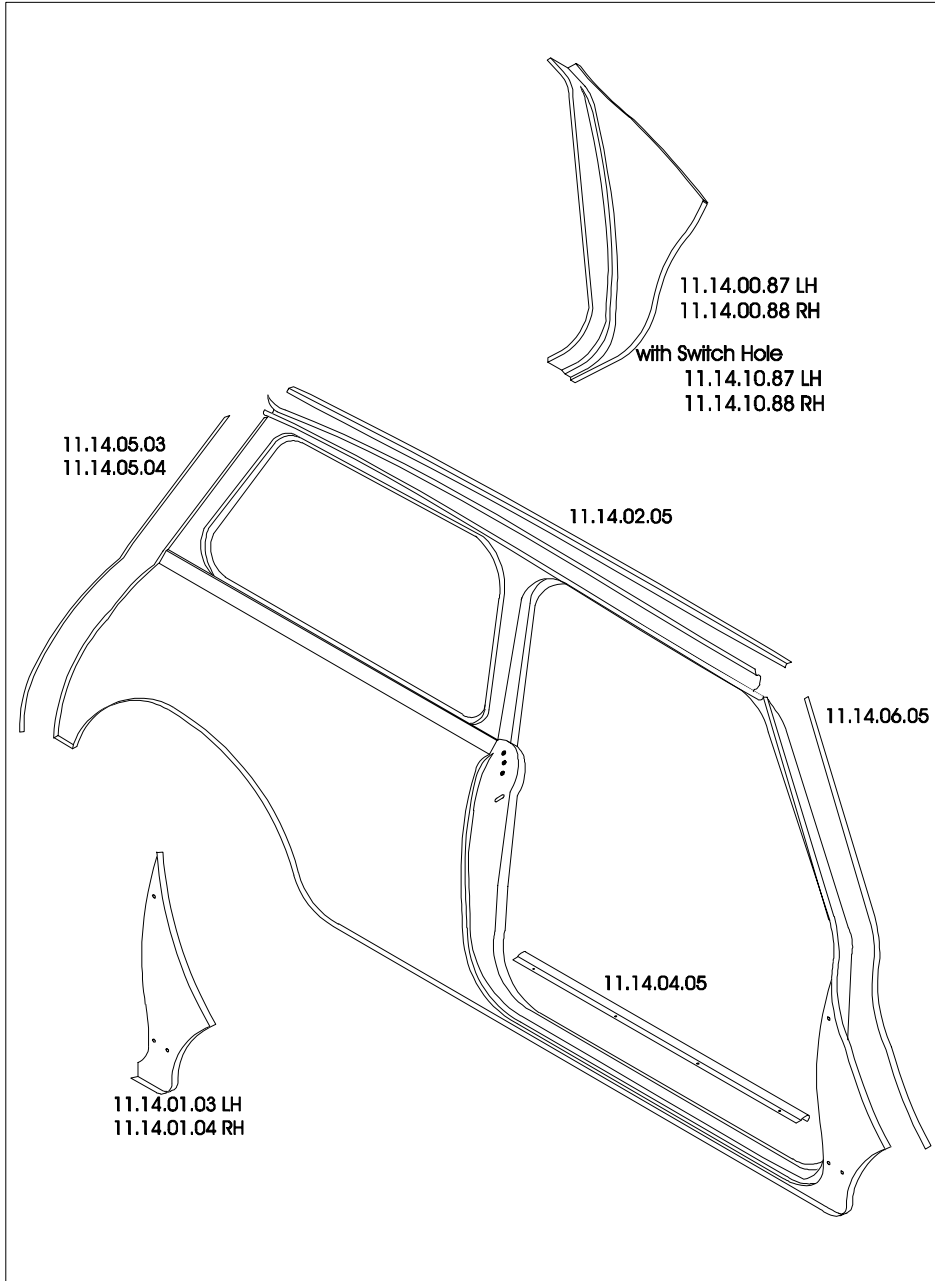
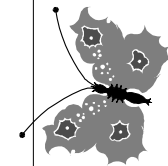
| | Code | Price | Description | 120 |
|----------|---------------|--------|--|-----|
| L | 21.11.00.01 | 117.00 | Rear Door, Traveller & Van, Mk1-4, LH | |
| | 21.11.00.02 | 117.00 | Rear Door, Traveller & Van, Mk1-4, RH | |
| M | 21.11.00.17 | 22.00 | Rear Door Skin (Below Window), Trav & Van, Mk1-4, LH | |
| | 21.11.00.18 | 22.00 | Rear Door Skin (Below Window), Trav & Van, Mk1-4, RH | |
| | 21.11.00.27 | 20.00 | Rear Door Bottom Repair, Trav & Van, Mk1-4, LH | |
| | 21.11.00.28 | 20.00 | Rear Door Bottom Repair, Trav & Van, Mk1-4, RH | |
| N | ! 21.11.01.01 | 15.00 | Hinge, Rear Door, Upper Left, Mk1-4 Trav & van | |
| | ! 21.11.01.02 | 15.00 | Hinge, Rear Door, Upper Right, Mk1-4 Trav & van | |
| | ! 21.11.02.01 | 15.00 | Hinge, Rear Door, Lower Left, Mk1-4 Trav & van | |
| | ! 21.11.02.02 | 15.00 | Hinge, Rear Door, Lower Right, Mk1-4 Trav & van | |
| P | 21.11.03.05 | 0.44 | Gasket, Hinge, Rear Door, Mk1-4 Trav & Van | |
| R | ! 21.12.03.00 | 5.00 | Brace, Door, Mk1-4 Traveller & Van | |
| | ! 81.12.03.01 | 5.00 | Brace, Door, LH, Clubman Estate | |
| | ! 81.12.03.02 | 5.00 | Brace, Door, RH, Clubman Estate | |
| | ! 21.12.07.03 | 5.00 | Mounting, Door Brace, LH, Mk1-4 Traveller & Van | |
| | ! 21.12.07.04 | 5.00 | Mounting, Door Brace, RH, Mk1-4 Traveller & Van | |
| S | 41.11.00.00 | 133.00 | Tailgate, Mk1-4 Pick-up | |
| T | 41.11.01.01 | 13.25 | Suppport, Tailgate, LH, Mk1-4 Pick-up | |
| | 41.11.01.02 | 13.25 | Suppport, Tailgate, RH, Mk1-4 Pick-up | |
| U | 41.11.02.00 | 18.90 | Hinge, Tailgate, Mk1-4 Pick-up | |
| V | ! 41.11.05.05 | 5.00 | bracket, Tailgate Closing, Mk1-4, Pick-up | |
| W | 41.12.00.00 | 195.00 | Bulkhead, Cab, Rear, Mk1-4 Pick-up | |



130

Unit 6, Forge Way, Cleveland Trading Estate
 Darlington, Co. Durham, England, DL1 2PJ
 Tel. & Fax (01325) 381300
 sales@m-machine.co.uk

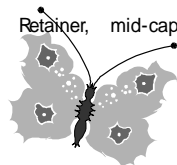
M-MACHINE



| PART NO. | PRICE | DESCRIPTION | PART NO. | PRICE | DESCRIPTION |
|---------------|--------|---|-------------|-------|---|
| 11.14.00.87 | 53.00 | Door Pillar & Apex Panel, LH, Mk1-2 & Van & Pup | 21.14.00.07 | 89.25 | Sde, left hand, Mk1-2, Traveller |
| 11.14.00.88 | 53.00 | Door Pillar & Apex Panel, RH, Mk1-2 & Van & Pup | 21.14.00.08 | 94.50 | Sde, right hand, Mk1-2, Traveller |
| 11.14.10.87 | 54.00 | Door Pillar c/w switch hole & Apex Panel, LH, Mk1-2, Van, Pup | 83.14.00.07 | 89.25 | Sde, left hand, Mk3-4, Clubman Estate |
| 11.14.10.88 | 54.00 | Door Pillar c/w switch hole & Apex Panel, RH, Mk1-2, Van, Pup | 83.14.00.08 | 94.50 | Sde, right hand, Mk3-4, Clubman Estate |
| 11.14.01.03 | 13.00 | Apex Panel, left hand, Mk1-2 and Van, Pup | 21.14.00.17 | 7.80 | Corner Repair, rear, lower, left hand, Mk1-4, traveller & van |
| 11.14.01.04 | 13.00 | Apex Panel, right hand, Mk1-2 and Van, Pup | 21.14.00.18 | 7.80 | Corner Repair, rear, lower, right hand, Mk1-4, traveller & van |
| 13.14.01.03 | 16.00 | Apex Panel, left hand, Mk3-5 | 21.14.00.27 | 7.80 | Arch to Door Repair, lower, left hand, Mk1-4, traveller, van & P/U |
| 13.14.01.04 | 16.00 | Apex Panel, right hand, Mk3-5 | 21.14.00.28 | 7.80 | Arch to Door Repair, lower, right hand, Mk1-4, traveller, van & P/U |
| 13.14.01.13 | 6.50 | Apex Panel, LH, Repro, Mk3-5 | 21.14.00.37 | 18.00 | Extended Step, left hand, Mk1-2 traveller & Mk1-4 van & pickup |
| 13.14.01.14 | 6.50 | Apex Panel, RH, Repro, MK3-5 | 21.14.00.38 | 18.00 | Extended Step, right hand, Mk1-2 traveller & Mk1-4 van & pickup |
| 11.14.02.05 | 7.85 | Drip Rail Section, Mk1-3 saloon | 83.14.00.37 | 18.00 | Extended Step, left hand, Mk3-4 Clubman estate |
| 11.14.04.05 | 7.50 | Door Step Trim, Mk1-2, Van, Pup | 83.14.00.38 | 18.00 | Extended Step, right hand, Mk3-4 Clubman estate |
| 11.14.05.03 | 10.25 | Seam Cover, rear, left hand, Mk1-5, OEM | 21.14.00.47 | 14.50 | Wheel Arch Surround, LH, Mk1-4, traveller & van |
| 11.14.05.04 | 10.25 | Seam Cover, rear, right hand, Mk1-5 OEM | 21.14.00.48 | 14.50 | Wheel Arch Surround, RH, Mk1-4, traveller & van |
| 11.14.15.03 | 6.00 | Seam Cover, rear, left hand, Mk1-5 | 21.14.02.03 | 19.80 | Side Window Channel Support, lower, left hand, Mk1-4, traveller |
| 11.14.15.04 | 6.00 | Seam Cover, rear, right hand, Mk1-5 | 21.14.02.04 | 19.80 | Side Window Channel Support, lower, right hand, Mk1-4, traveller |
| 11.14.06.05 | 9.25 | Seam Cover, front, Mk1-5 OEM | 21.14.03.05 | 12.60 | Sde Window Channel Frame, lower, Mk1-4, traveller |
| 11.14.16.05 | 6.00 | Seam Cover, front, Mk1-5 | 21.14.04.03 | 4.00 | Side Window Channel Frame, front, left hand, Mk1-4, traveller |
| 99.18.00.05 | .12 | Clip, seam cover, Mk1-5 | 21.14.04.04 | 4.00 | Side Window Channel Frame, front, right hand, Mk1-4, traveller |
| 41.14.00.07 | 110.00 | Side, left hand, Mk1-4, pickup | 21.14.05.03 | 5.50 | Sde Window Channel Frame, rear, left hand, Mk1-4, traveller |
| 41.14.00.08 | 115.00 | Side, right hand, Mk1-4, pickup | 21.14.05.04 | 5.50 | Sde Window Channel Frame, rear, right hand, Mk1-4, traveller |
| 41.14.00.57 | 6.00 | Wheel Arch Corner, left hand, Mk1-4 pickup | 21.14.07.05 | 6.80 | Drip Rail Section, Mk1-4, traveller |
| 41.14.00.58 | 6.00 | Wheel Arch Corner, right hand, Mk1-4 pickup | 31.14.07.05 | 6.80 | Drip Rail Section, Mk1-4 van & Pck-up |
| 41.14.00.97 | 26.50 | Bottom Edge Repair, side, left hand, Mk1-4 pickup | | | |
| 41.14.00.98 | 26.50 | Bottom Edge Repair, side, right hand, Mk1-4 pickup | | | |
| 41.14.01.17 | 5.50 | Below Tail Lamp Repair, left hand, Mk1-4 pickup | | | |
| 41.14.01.18 | 5.50 | Below Tail Lamp Repair, right hand, Mk1-4 pickup | | | |
| 41.14.02.05 | 15.00 | Stiffener, wheel arch to side, Mk1-4 pickup | | | |
| ★ 41.14.03.01 | PO.A. | Rear Corner Capping Assembly, left hand, Mk1-4 pickup | | | |
| ★ 41.14.03.02 | PO.A. | Rear Corner Capping Assembly, right hand, Mk1-4 pickup | | | |
| ★ 41.14.05.05 | PO.A. | Retainer, mid-cap arch, Mk1-4 pickup | | | |

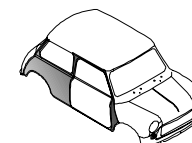
All prices EXCLUDE delivery & VAT

★ = refurbished unit

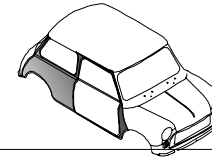


M-MACHINE

Unit 6, Forge Way, Cleveland Trading Estate
 Darlington, Co. Durham, England, DL1 2PJ
 Tel. & Fax: (01325) 381300
 sales@m-machine.co.uk



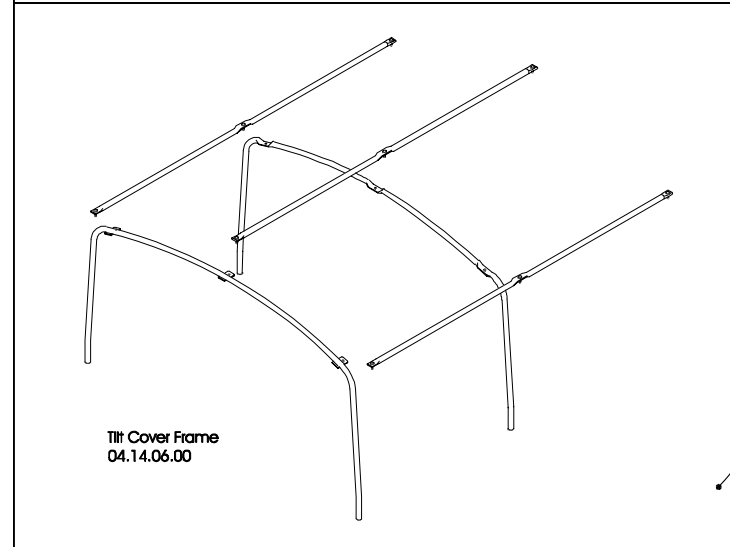
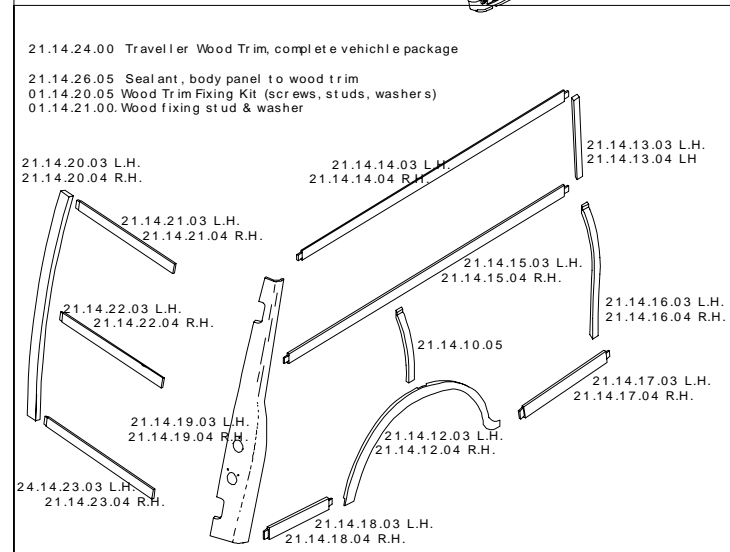
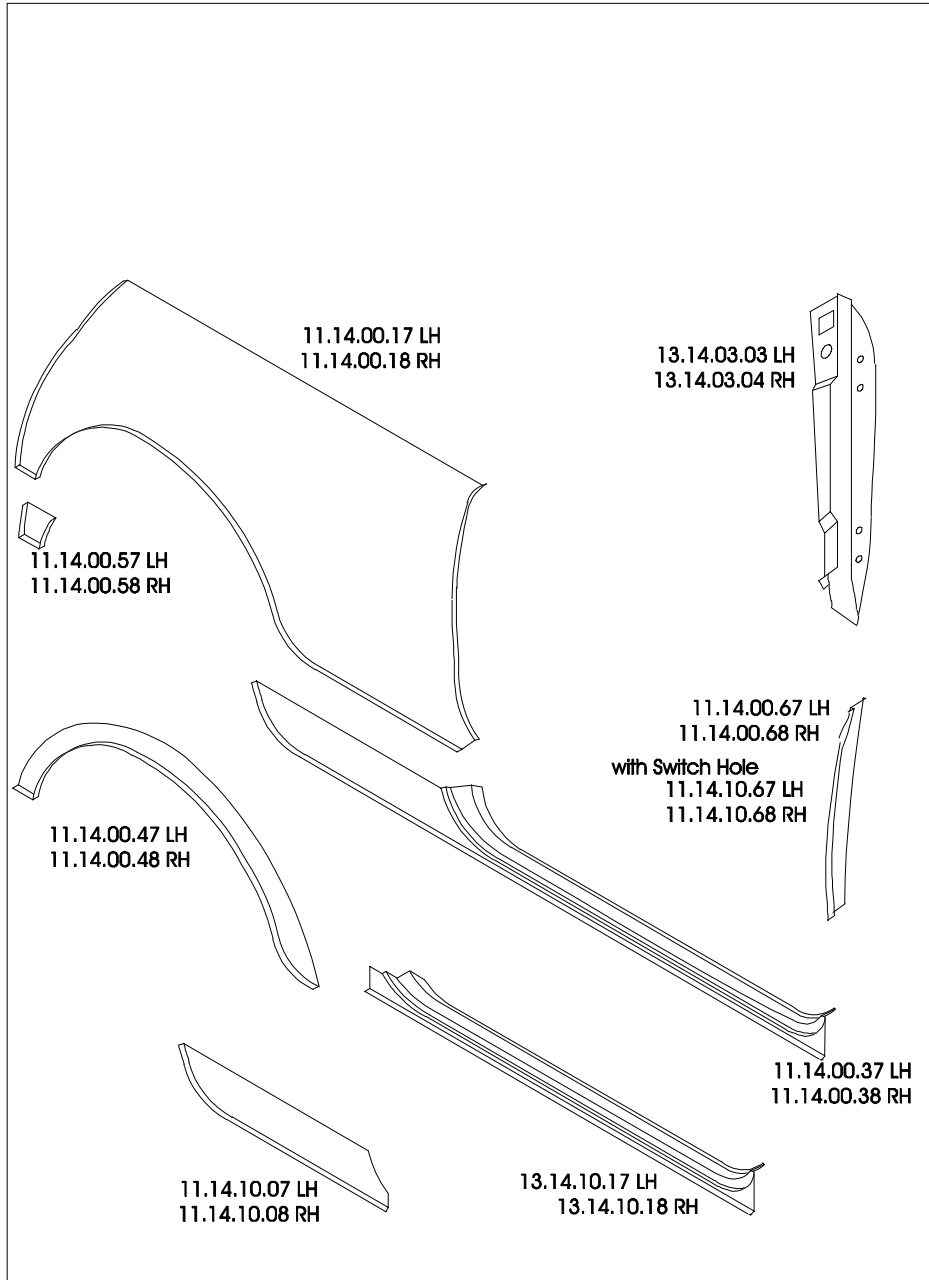
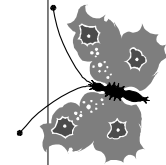
130



140

Unit 6, Forge Way, Cleveland Trading Estate
 Darlington, Co. Durham, England, DL1 2PJ
 Tel. & Fax (01325) 381300
 sales@m-machine.co.uk

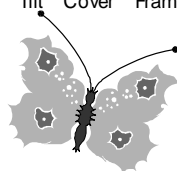
M-MACHINE



| PART NO. | PRICE | DESCRIPTION | PART NO. | PRICE | DESCRIPTION |
|-------------|-------|--|-------------|--------|---|
| 11.14.00.17 | 63.00 | Quarter Panel, left hand, Mk1-2 | 21.14.10.05 | 9.00 | Wood Trim, waist rail to wheel arch, Mk1-2, traveller |
| 11.14.00.18 | 63.00 | Quarter Panel, right hand, Mk1-2 | 21.14.12.03 | 28.50 | Wood Trim, wheel arch, left hand, Mk1-2, traveller |
| 13.14.00.17 | 47.00 | Quarter Panel, left hand, Mk3-5 | 21.14.12.04 | 28.50 | Wood Trim, wheel arch, right hand, Mk1-2, traveller |
| 13.14.00.18 | 47.00 | Quarter Panel, right hand, Mk3-5 | 21.14.13.03 | 11.50 | Wood Trim, top rail to waist rail, left hand, Mk1-2, traveller |
| 11.14.01.17 | 11.50 | Quarter Panel Liner Retainer, left hand, Mk1-2 | 21.14.13.04 | 11.50 | Wood Trim, top rail to waist rail, right hand, Mk1-2, traveller |
| 11.14.01.18 | 11.50 | Quarter Panel Liner Retainer, right hand, Mk1-2 | 21.14.14.03 | 15.00 | Wood Trim, top rail, left hand, Mk1-2, traveller |
| 13.14.01.17 | 11.50 | Quarter Panel Liner Retainer, left hand, Mk3-5 | 21.14.14.04 | 15.00 | Wood Trim, top rail, right hand, Mk1-2, traveller |
| 13.14.01.18 | 11.50 | Quarter Panel Liner Retainer, right hand, Mk3-5 | 21.14.15.03 | 20.00 | Wood Trim, waist rail, left hand, Mk1-2, traveller |
| 11.14.00.37 | 18.00 | Extended Step, left hand, Mk1-2 | 21.14.15.04 | 20.00 | Wood Trim, waist rail, right hand, Mk1-2, traveller |
| 11.14.00.38 | 18.00 | Extended Step, right hand, Mk1-2 | 21.14.16.03 | 12.00 | Wood Trim, waist to bottom front rail, left hand, Mk1-2, traveller |
| 13.14.00.37 | 18.00 | Extended Step, left hand, Mk3-5 | 21.14.16.04 | 12.00 | Wood Trim, waist to bottom front rail, right hand, Mk1-2, traveller |
| 13.14.00.38 | 18.00 | Extended Step, right hand, Mk3-5 | 21.14.17.03 | 9.00 | Wood Trim, bottom front rail, left hand, Mk1-2, traveller |
| 11.14.00.47 | 14.50 | Wheel Arch Surround, left hand, Mk1-5 | 21.14.17.04 | 9.00 | Wood Trim, bottom front rail, right hand, Mk1-2, traveller |
| 11.14.00.48 | 14.50 | Wheel Arch Surround, right hand, Mk1-5 | 21.14.18.03 | 9.00 | Wood Trim, bottom rear rail, left hand, Mk1-2, traveller |
| 11.14.00.57 | 3.95 | Wheel Arch Corner, left hand, Mk1-5 | 21.14.18.04 | 9.00 | Wood Trim, bottom rear rail, right hand, Mk1-2, traveller |
| 11.14.00.58 | 3.95 | Wheel Arch Corner, right hand, Mk1-5 | 21.14.19.03 | 85.00 | Wood Trim, rear corner, left hand, Mk1-2, traveller |
| 11.14.00.67 | 13.00 | Door Pillar Repair, left hand, Mk1-2 | 21.14.19.04 | 85.00 | Wood Trim, rear corner, right hand, Mk1-2, traveller |
| 11.14.00.68 | 13.00 | Door Pillar Repair, right hand, Mk1-2 | 21.14.20.03 | 12.25 | Wood Trim, rear door, centre, left hand, Mk1-2, traveller |
| 11.14.10.67 | 14.00 | Door Pillar Repair c/w Switch Hole, left hand, Mk1-2 | 21.14.20.04 | 12.25 | Wood Trim, rear door, centre, right hand, Mk1-2, traveller |
| 11.14.10.68 | 14.00 | Door Pillar Repair c/w Switch Hole, right hand, Mk1-2 | 21.14.21.03 | 8.00 | Wood Trim, rear door, upper, left hand, Mk1-2, traveller |
| 11.14.10.07 | 7.25 | Arch to Door Repair, left hand, Mk1-5 | 21.14.21.04 | 8.00 | Wood Trim, rear door, upper, right hand, Mk1-2, traveller |
| 11.14.10.08 | 7.25 | Arch to Door Repair, right hand, Mk1-5 | 21.14.22.03 | 8.00 | Wood Trim, rear door, middle, left hand, Mk1-4, traveller |
| 13.14.03.03 | 9.00 | A Post Inner Hinge Panel, left hand, Mk3-5 | 21.14.22.04 | 8.00 | Wood Trim, rear door, middle, right hand, Mk1-4, traveller |
| 13.14.03.04 | 9.00 | A Post Inner Hinge Panel, right hand, Mk3-5 | 21.14.23.03 | 8.00 | Wood Trim, rear door, lower, left hand, Mk1-2, traveller |
| 13.14.10.17 | 6.50 | Detailed Door Step, left hand, Mk3-5 | 21.14.23.04 | 8.00 | Wood Trim, rear door, lower, right hand, Mk1-2, traveller |
| 13.14.10.18 | 6.50 | Detailed Door Step, right hand, Mk3-5 | 21.14.24.00 | 425.00 | Wood Trim, complete vehicle package, Mk1-2 traveller |
| 13.14.10.27 | 42.75 | Door Step and A pillar repair, LH Mk3 on | 21.14.26.05 | POA | Sealant, body panel to wood trim, Mk1-2 traveller |
| 13.14.10.28 | 42.75 | Door Step and A pillar repair, RH Mk3 on | | | |
| 01.14.20.05 | 25.00 | Wood Trim Fixing Kit, screws, studs & washers, Mk1-2 traveller | | | |
| 01.14.21.00 | .95 | Wood Fixing Stud & Washer, Mk1-2 traveller | | | |
| 04.14.06.00 | 80.00 | Tilt Cover Frame, Mk1-4 pickup | | | |

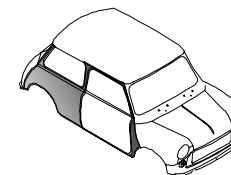
All prices EXCLUDE delivery & VAT

★ = refurbished unit

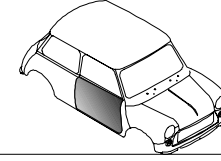


M-MACHINE

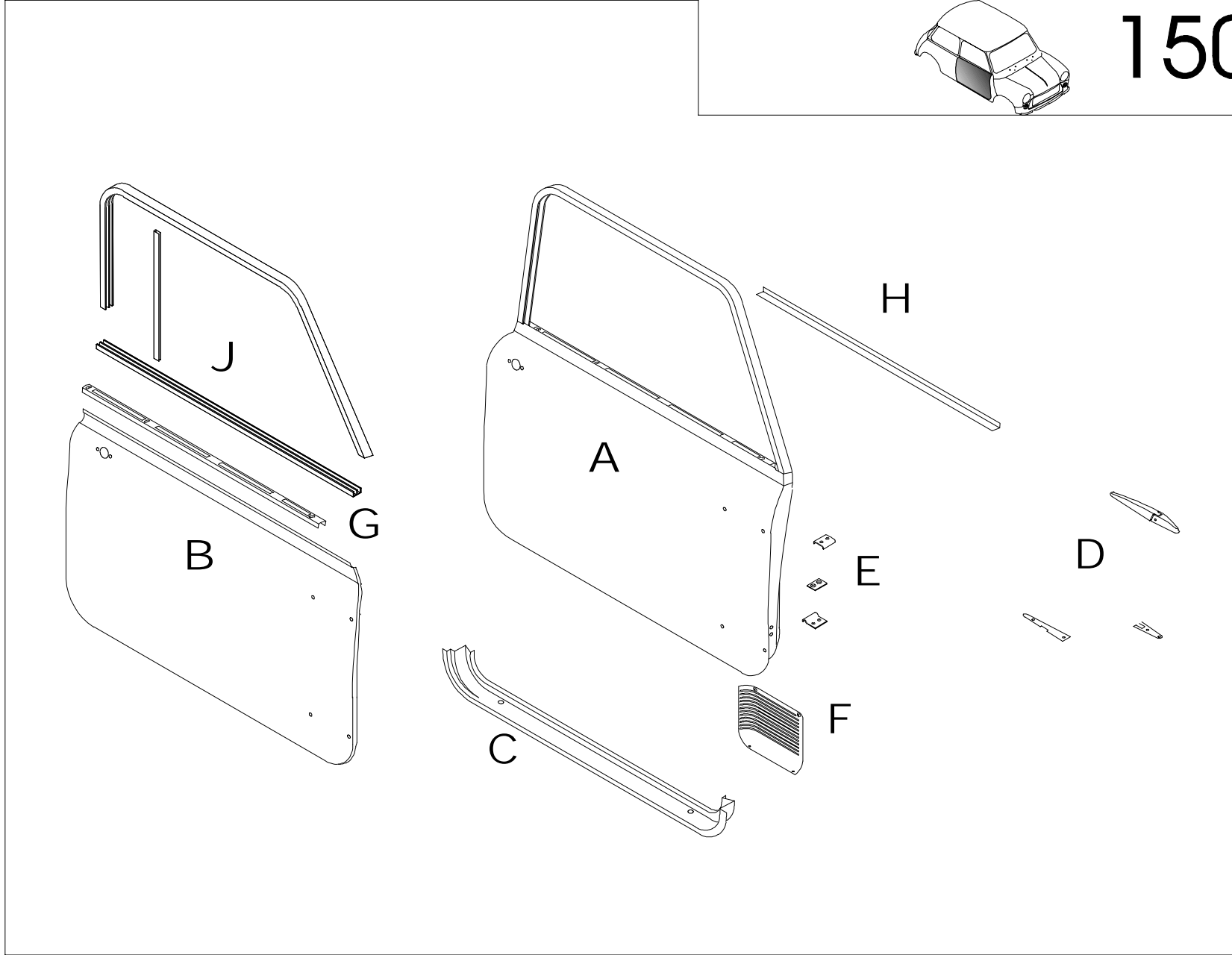
Unit 6, Forge Way, Cleveland Trading Estate
 Darlington, Co. Durham, England, DL1 2PJ
 Tel. & Fax: (01325) 381300
 sales@m-machine.co.uk



140

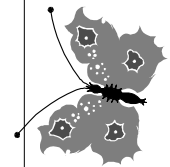


150

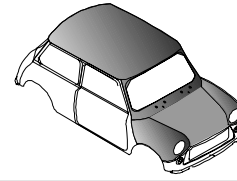
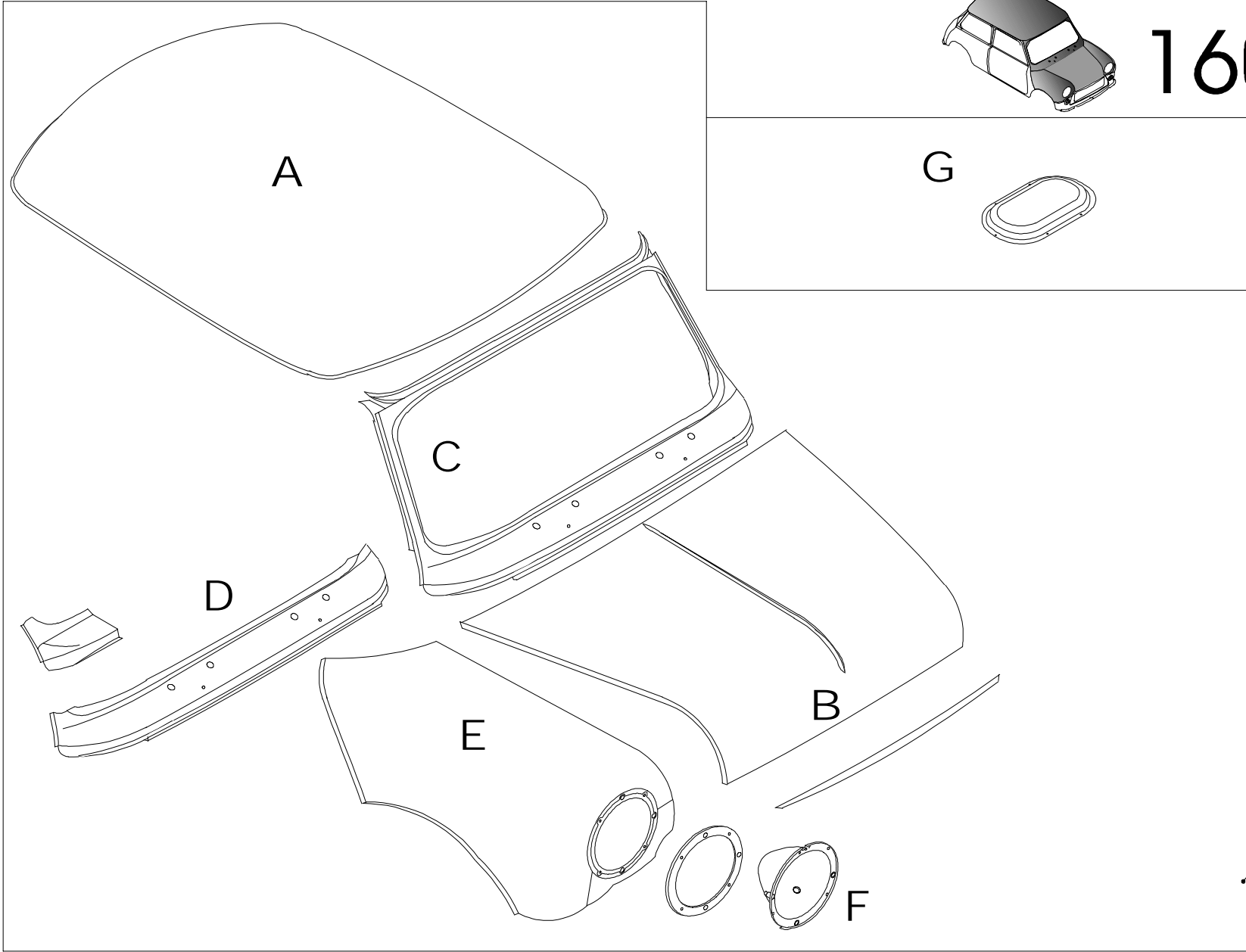


Unit 6, Forge Way, Cleveland Trading Estate
Darlington, Co. Durham, England, DL1 2PJ
Tel. & Fax (01325) 381300
sales@m-machine.co.uk

M-MACHINE

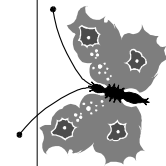


| | Code | Price | Description | 150 | | Code | Price | Description | 150 |
|----------|-------------|--------|---|-----|----------|-------------|-------------|--|--|
| | DOORS | | | | | FITTINGS | | | |
| A | 11.15.00.01 | 280.00 | Door Assembly, LH, Mk1-2 | | E | 11.15.08.05 | 2.50 | Door Strap, Door Seal Locator, Mk1-2 | |
| | 11.15.00.02 | 280.00 | Door Assembly, RH, Mk1-2 | | ! | 11.15.09.05 | 2.50 | Door Strap, Pocket Plate, Mk1-2 | |
| | 13.15.00.01 | 208.00 | Door Assembly, LH, Mk3-5 | | | 11.15.10.05 | 1.50 | Door Strap, Cover Plate, Mk1-2 | |
| | 13.15.00.02 | 208.00 | Door Assembly, RH, Mk3-5 | | F | 11.15.13.03 | 12.00 | Protector, Door Pocket Corner, LH, Mk1-2 | |
| | SKINS | | | | | | 11.15.13.04 | 12.00 | Protector, Door Pocket Corner, RH, Mk1-2 |
| B | 11.15.02.03 | 45.00 | Door Skin, LH, Mk1-2, and Van, Pick-up | | J | 11.15.03.05 | 13.50 | Window Runner Channel, Lower, Mk1-2 | |
| | 11.15.02.04 | 45.00 | Door Skin, RH, Mk1-2, and Van, Pick-up | | | 11.15.04.05 | 10.00 | Window Runner Channel, upper, Mk1-2 | |
| | 11.15.22.03 | 48.00 | Door Skin, ALLOY, LH, Mk1-2 | | | 11.15.05.03 | 4.00 | Window Divider, LH, Mk1-2 | |
| | 11.15.22.04 | 48.00 | Door Skin, ALLOY, RH, Mk1-2 | | | 11.15.05.04 | 4.00 | Window Divider, RH, Mk1-2 | |
| | 13.15.02.03 | 45.00 | Door Skin, LH, Mk3-5 | | | HINGES | | | |
| | 13.15.02.04 | 45.00 | Door Skin, RH, Mk3-5 | | D | 11.15.06.01 | 19.00 | Door Hinge, Lower, LH, Mk1-2 | |
| | 13.15.02.13 | 20.00 | Door Skin, LH, Mk3-5, REPRO | | | 11.15.06.02 | 19.00 | Door Hinge, Lower, RH, Mk1-2 | |
| | 13.15.02.14 | 20.00 | Door Skin, RH, Mk3-5, REPRO | | | 11.15.07.01 | 19.00 | Door Hinge, Upper, LH, Mk1-2 | |
| | REPAIRS | | BOTTOM | | | 11.15.07.02 | 19.00 | Door Hinge, Upper, RH, Mk1-2 | |
| C | 11.15.00.27 | 15.75 | Door Bottom Repair, LH, Mk1-2, and Van, Pick-up | | | 11.15.11.05 | 0.44 | Gasket, Door Hinge, Front Half, Mk1-2 | |
| | 11.15.00.28 | 15.75 | Door Bottom Repair, RH, Mk1-2, and Van, Pick-up | | | 11.15.12.05 | 0.44 | Gasket, Door Hinge, Rear Half, Mk1-2 | |
| | 13.15.00.27 | 12.00 | Door Bottom Repair, LH, Mk3-5 | | S | | 1.25 | Door Hinge fixings, Mk1-2, per hinge | |
| | 13.15.00.28 | 12.00 | Door Bottom Repair, RH, Mk3-5 | | | 13.15.06.00 | 18.50 | Door Hinge, Lower, Mk3-5 | |
| | REPAIRS | | TOP | | ! | 13.15.06.09 | 10.00 | Door Hinge, Lower, Mk3-5, REFURB | |
| G | 11.15.14.05 | 5.50 | Support, Lower Window Channel, Mk1-2 | | | 13.15.07.01 | 18.50 | Door Hinge, Upper, LH, Mk3-5 | |
| | 11.15.15.06 | 6.50 | Door Top, Inner Rail Repair, Mk1-2 | | | 13.15.07.02 | 18.50 | Door Hinge, Upper, RH, Mk3-5 | |
| H | 13.15.00.05 | 6.50 | Adaptor Rail, Mk3 Door to Sliding Window, Mk3-5 | | ! | 13.15.07.19 | 10.00 | Door Hinge, Upper, LH, Mk3-5, REFURB | |
| | | | | | ! | 13.15.07.29 | 10.00 | Door Hinge, Upper, RH, Mk3-5, REFURB | |
| | | | | | | 13.15.06.05 | 0.45 | Door Hinge Shims, Mk3-5 | |



160

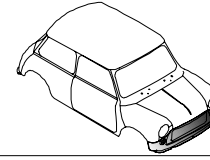
Unit 6, Forge Way, Cleveland Trading Estate
Darlington, Co. Durham, England, DL1 2PJ
Tel. & Fax (01325) 381300
sales@m-machine.co.uk



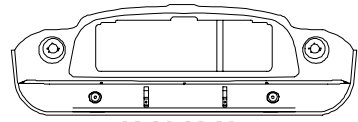
M-MACHINE

m-machine 01325 381300

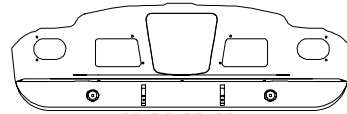
| 160 | | | | 160 | | | |
|------|-------------|-------------|---|------|-------------|-------------|--|
| Code | Price | Description | | Code | Price | Description | |
| A | 11.13.00.05 | 165.00 | Roof Skin, Mk1-2 (No Mail Order) | F | 11.17.04.05 | 16.00 | Headlamp Bowl, Prefocus, |
| | | | | | 12.17.04.05 | 10.00 | Headlamp Bowl, (Adjusters Included), Mk2-4 |
| B | 11.19.00.00 | 82.50 | Bonnet, Mk1 | | 15.17.04.05 | 12.00 | Headlamp bowl, Plastic, Mk5 |
| | 12.19.00.00 | 82.50 | Bonnet with Front Rail, Mk2 | | 11.17.03.05 | 4.50 | Headlamp Mounting Repair, Mk1-4 |
| | 13.19.00.00 | 73.25 | Bonnet with Front Rail, Mk3 to '97 | | | | |
| | 15.19.00.00 | 74.00 | Bonnet with Front Rail, '97 on | G | 31.13.02.00 | 65.00 | Roof Vent Assembly, mk1-4 Van |
| | 15.19.00.10 | 45.00 | Bonnet, BUDGET | | 31.13.03.00 | 12.00 | Roof Vent Interior Stiffener, Mk1-4 Van |
| | 73.19.00.00 | 98.95 | Bonnet, Clubman (72 to 83) | | | | |
| | 12.19.02.00 | 9.75 | Bonnet Rail, Mk2-5 | | | | |
| C | 11.16.00.00 | POA | Windscreen Surround, Mk1-2 | | | | |
| | 13.16.00.00 | 140.00 | Windscreen Surround, Mk3-4 | | | | |
| D | 11.16.00.09 | POA | Windscreen Scuttle, Mk1-2 | | | | |
| | 13.16.00.09 | 70.00 | Windscreen Scuttle, Mk3-5 | | | | |
| | 13.16.00.06 | 42.00 | Windscreen Scuttle, BUDGET | | | | |
| | 11.16.00.17 | 7.50 | End Repair, windscreen Scuttle, LH, Mk1-5 | | | | |
| | 11.16.00.18 | 7.50 | End Repair, windscreen Scuttle, RH, Mk1-5 | | | | |
| E | 11.17.01.01 | 46.00 | Wing LH, Mk1-4 | | | | |
| | 11.17.01.02 | 46.00 | Wing RH, Mk1-4 | | | | |
| | 11.17.01.11 | 27.00 | Wing LH, Mk1-4, BUDGET | | | | |
| | 11.17.01.12 | 27.00 | Wing RH, Mk1-4, BUDGET | | | | |
| | 15.17.01.01 | 46.00 | Wing LH, Mk5, Heritage(with Repeater) | | | | |
| | 15.17.01.02 | 46.00 | Wing RH, Mk5, Heritage (with Repeater) | | | | |
| | 15.17.01.11 | 28.00 | Wing LH, Mk5, BUDGET (with Repeater) | | | | |
| | 1517.01.12 | 28.00 | Wing RH, Mk5, BUDGET (with Repeater) | | | | |
| | 73.17.01.03 | 66.50 | Wing LH, Mk3-4, for Clubman | | | | |
| | 73.17.01.04 | 59.50 | Wing RH, Mk3-4, for Clubman | | | | |



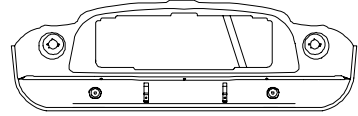
170



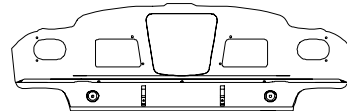
11.18.00.00



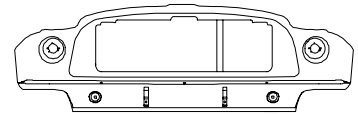
61.18.00.00



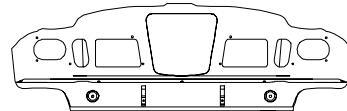
51.18.00.00



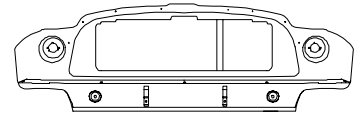
61.18.01.00



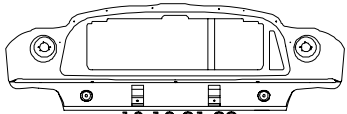
11.18.01.00



62.18.01.00



12.18.01.00

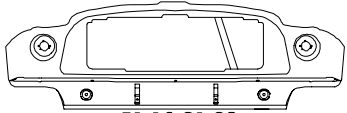


13.18.01.00

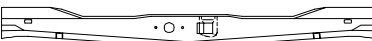


73.18.01.05

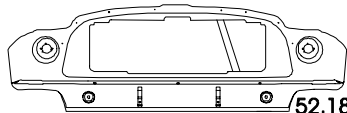
11.18.05.17 LH
11.18.05.18 RH



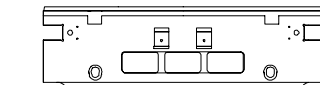
51.18.01.00



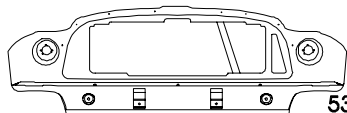
73.18.02.05



52.18.01.00



74.18.00.00



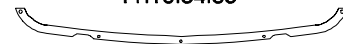
53.18.01.00



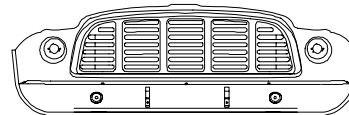
11.18.01.19

11.18.01.29

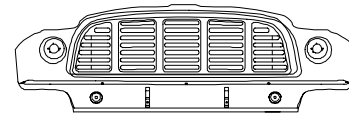
11.18.04.05



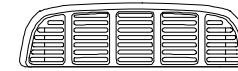
11.18.01.39



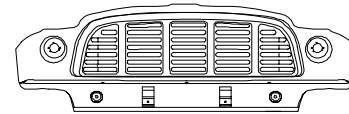
31.18.00.00



31.18.01.00

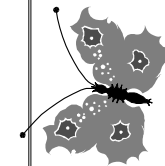


31.18.02.00



34.18.01.00

M-MACHINE



Unit 6, Forge Way, Cleveland Trading Estate
Darlington, Co. Durham, England, DL1 2RU
Tel. & Fax (01325) 381300
sales@m-machine.co.uk

| PART NO. | PRICE | DESCRIPTION | PART NO. | PRICE | DESCRIPTION |
|-------------|--------|---|-------------|--------|--|
| 11.18.00.00 | 96.50 | Front Panel, full skirt, Mk1, & for Cooper 59-64, Cooper 'S 63-64 | 74.18.00.00 | 64.50 | Front Panel, Mk4, for Clubman |
| 11.18.01.00 | 67.50 | Front Panel, Mk1, & for Cooper 64-67, Cooper 'S 64-66 | 73.18.01.05 | 17.50 | Stiffener, front panel to slam panel, Mk3-4, for Clubman |
| 11.18.01.19 | 5.00 | Stiffener, front panel, vertical, Mk1-5 | 73.18.02.05 | 25.00 | Slam Panel, Mk3-4, for Clubman |
| 11.18.01.29 | 3.50 | Stiffener, front panel, diagonal, Mk1-3 | 73.17.02.03 | 8.75 | Headlamp Panel, LH, Mk3-4 for Clubman |
| 11.18.01.39 | 6.00 | Bumper Rail, front panel, Mk1-5 | 73.17.02.04 | 8.75 | Headlamp Panel, RH, Mk3-4 for Clubman |
| 11.18.04.05 | 6.85 | Number Plate Hanger, front, Mk1-2 | | | |
| 11.18.05.17 | 5.50 | Adapter to full skirt, left hand, Mk1 | | | |
| 11.18.05.18 | 5.50 | Adapter to full skirt, right hand, Mk1 | | | |
| 12.18.01.00 | 67.50 | Front Panel, Mk2, for Mini & Cooper 67-69 | | | |
| 13.18.01.00 | 41.50 | Front Panel, Mk3, for Mini 69-76 | | | |
| 14.18.01.00 | 39.50 | Front Panel, Mk4-5, for Mini 76-0N | | | |
| 51.18.00.00 | 100.50 | Front Panel, full skirt, oil cooler, Mk1, for Cooper 'S 63-64 | | | |
| 51.18.01.00 | 70.00 | Front Panel, oil cooler, Mk1, for Cooper 'S 64-66 | | | |
| 52.18.01.00 | 70.00 | Front Panel, oil cooler, Mk2-3, for Cooper 'S 67-70 | | | |
| 53.18.01.00 | 70.00 | Front Panel, oil cooler, Mk3, for Cooper 'S 70-71 | | | |
| 61.18.00.00 | 225.00 | Front Panel, full skirt, Mk1, Elf & Hornet | | | |
| 61.18.01.00 | 215.00 | Front Panel, Mk1, Elf & Hornet | | | |
| 62.18.01.00 | 225.00 | Front Panel, with air intake vents, Mk1-3, Elf & Hornet | | | |
| | | | 31.18.00.00 | 125.00 | Front Panel, full skirt, Mk1 van & pickup |
| | | | 31.18.01.00 | 99.00 | Front Panel, Mk1-3 van & pickup |
| | | | 34.18.01.00 | 95.00 | Front Panel, Mk4 van & pickup |
| | | | 31.18.02.00 | 25.00 | Insert, front panel, Mk1-4 van & pickup |

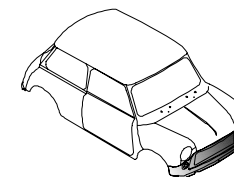
All prices EXCLUDE delivery & VAT

★ = refurbished unit

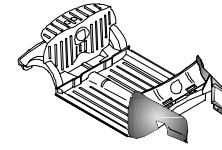


M-MACHINE

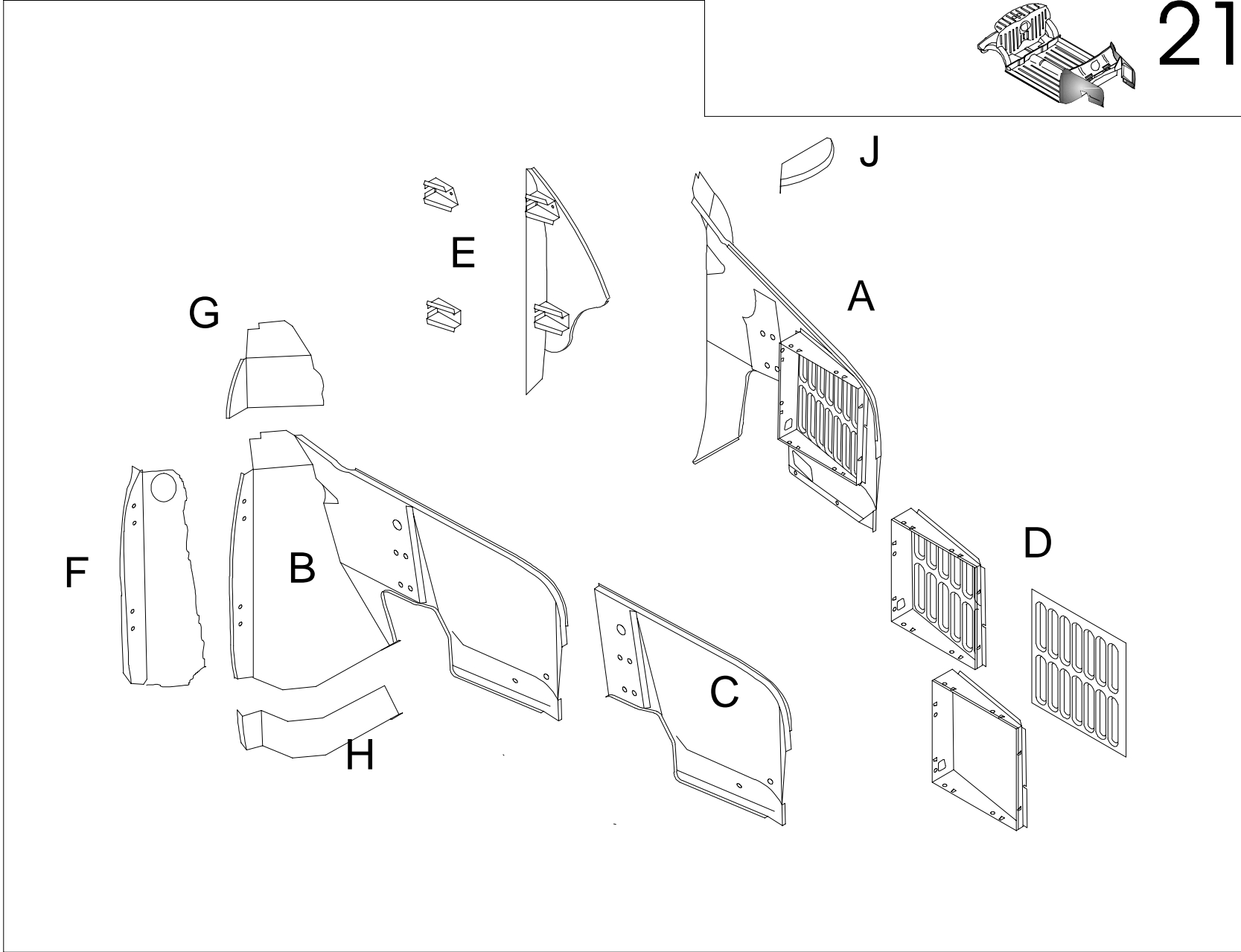
Unit 6, Forge Way, Cleveland Trading Estate
 Darlington, Co. Durham, England, DL1 2PJ
 Tel. & Fax (01325) 381300
 sales@m-machine.co.uk



170

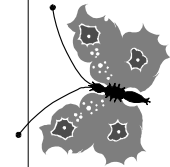


210



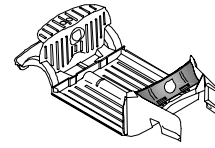
Unit 6, Forge Way, Cleveland Trading Estate
Darlington, Co. Durham, England, DL1 2PU
Tel: & Fax: (01325) 381300
sales@m-machine.co.uk

M - MACHINE

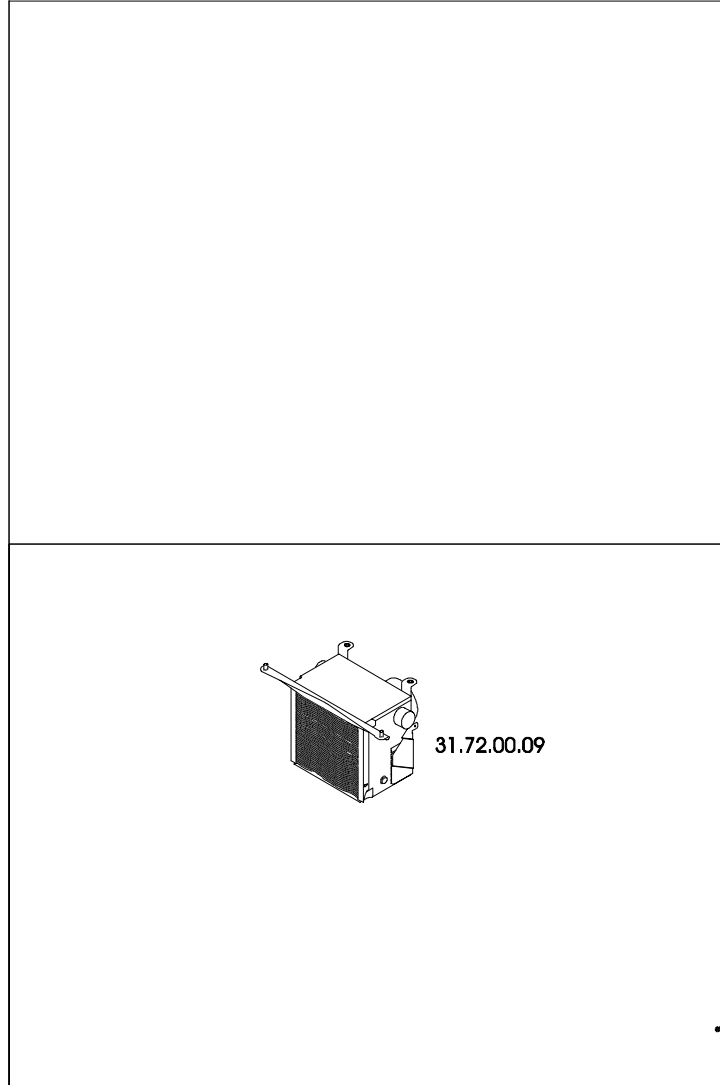
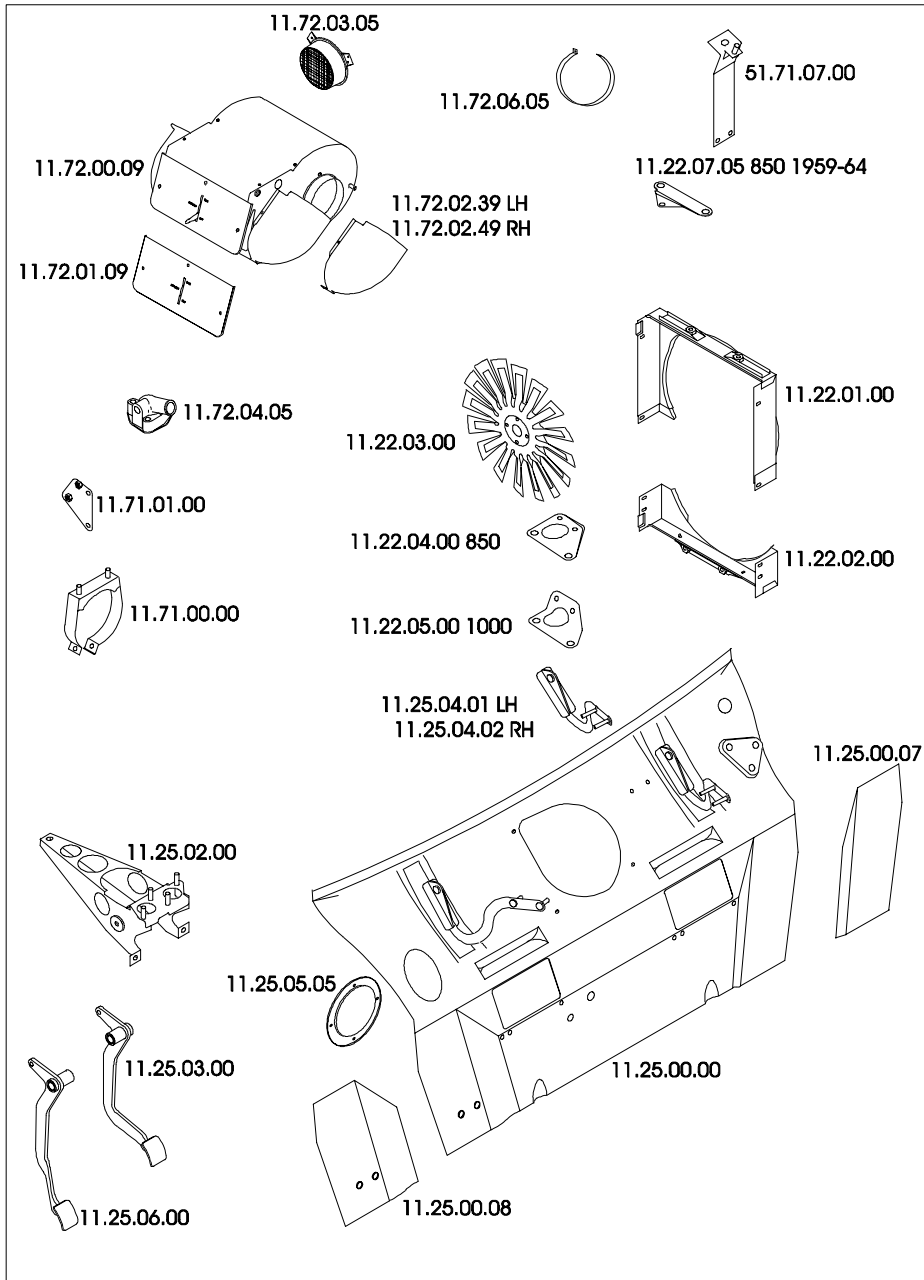


m-machine 01325 381300

| 210 | | | | 210 | | | |
|------|-------------|-------------|--|------|-------------|-------------|---|
| Code | Price | Description | | Code | Price | Description | |
| A | 11.21.00.01 | 90.00 | Inner Wing with cowl , LH, Mk1 | F | 13.21.00.17 | 8.50 | Hinge Panel Repair, LH, Mk3-5 |
| | 12.21.00.01 | 90.00 | Inner Wing with cowl , LH, Mk2 | | 13.21.00.18 | 8.50 | Hinge Panel Repair, RH, Mk3-5 |
| | 13.21.10.01 | 90.00 | Inner Wing, Vent and Rad Cowl , LH, Mk3 early | | | | |
| | 13.21.00.01 | 55.00 | Inner Wink and Vent, LH, Mk3-4 | G | 11.21.00.47 | 6.50 | Inner Wing Repair Panel, LH, Upper, Mk1-2 |
| | 15.21.00.01 | 55.00 | Inner Wing, LH, Mk5, Round Hole for Electric Fan | | 11.21.00.48 | 6.50 | Inner Wing Repair Panel, RH, Upper, Mk1-2 |
| | 73.21.00.01 | 118.50 | Inner Wing, LH, for Clubman | | 13.21.00.47 | 9.50 | Inner Wing Repair Panel, LH, Upper, Mk3-4 |
| | | | | | 13.21.00.48 | 9.50 | Inner Wing Repair Panel, RH, Upper, Mk3-4 |
| B | 11.21.00.02 | 55.00 | Inner Wing, RH, Mk1 | | | | |
| | 12.21.00.02 | 55.00 | Inner Wing, RH, Mk2 | H | 11.21.00.07 | 5.75 | Inner Wing Repair, Front corner, LH |
| | 13.21.00.02 | 55.00 | Inner Wing, RH, Mk3-4 | | 11.21.00.08 | 5.75 | Inner Wing Repair, Front corner, RH |
| | 15.21.00.02 | 55.00 | Inner Wing, RH, Mk5 | | 11.21.00.57 | 11.50 | Inner Wing Repair, Lower Rear, LH |
| | 73.21.00.02 | 108.50 | Inner Wing, RH, Mk3-4, for Clubman | | 11.21.00.58 | 11.50 | Inner Wing Repair, Lower Rear, RH |
| C | 11.21.00.97 | 58.00 | Inner Wing, Front Half, LH, Inc Cowl, Mk1-3 | J | 11.25.01.03 | 5.00 | Closing Panel, Windscreen Corner, LH |
| | 13.21.00.97 | 32.00 | Inner Wing, Front Half, LH, Mk4 | | 11.25.01.04 | 5.00 | Closing Panel, Windscreen Corner, RH |
| | 15.21.00.97 | 37.00 | Inner Wing, Front Half, LH, Mk5, Hole for Electric Fan | | | | |
| | 11.21.00.98 | 32.00 | Inner Wing, Front Half, RH, Mk1-2 | | | | |
| | 13.21.00.98 | 32.00 | Inner Wing, Front Half, RH, Mk3 on | | | | |
| D | 11.21.00.67 | 16.00 | Vent Panel, Mk1-4 | | | | |
| | 11.21.00.77 | 19.00 | Radiator Cowl, Mk1-3 | | | | |
| | 73.21.00.77 | 25.00 | Radiator Cowl, , for clubman | | | | |
| | 11.21.00.80 | 41.50 | Vent Panel and Cowl assembly, Mk1-3 | | | | |
| E | 11.21.00.17 | 21.00 | Inner Apex Panel, LH, Mk1-2 | | | | |
| | 11.21.00.18 | 21.00 | Inner Apex Panel, RH, Mk1-2 | | | | |
| | 11.21.00.27 | 4.25 | Hinge Bracket, Apex Panel, LH, Upper, Mk1-2 | | | | |
| | 11.21.00.28 | 4.25 | Hinge Bracket, Apex Panel, RH, Upper, Mk1-2 | | | | |
| | 11.21.00.36 | 4.25 | Hinge Bracket, Apex Panel, Lower, Mk1-2 | | | | |

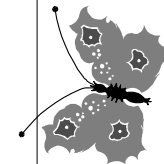


220



Unit 6, Forge Way, Cleveland Trading Estate
Darlington, Co. Durham, England, DL1 2RJ
Tel. & Fax (01325) 381300
sales@m-machine.co.uk

M — MACHINE



| PART NO. | PRICE | DESCRIPTION | PART NO. | PRICE | DESCRIPTION |
|---------------|-------|---|---------------|--------|--|
| ★ 14.22.00.00 | 16.00 | Shroud, radiator, one piece, Mk4 | ★ 13.25.00.00 | PO.A. | Bulkhead, front, Mk3-5 |
| ★ 11.22.01.00 | 15.00 | Shroud, radiator, upper, Mk1-2 | 11.25.00.07 | 12.00 | Bulkhead repair, left hand,, Mk1-5 |
| ★ 13.22.01.00 | 15.00 | Shroud, radiator, upper, Mk3-4 | 11.25.00.08 | 15.00 | Bulkhead Repair c/w mounting studs, right hand,, Mk1-5 |
| ★ 11.22.02.00 | 15.00 | Shroud, radiator, lower, Mk1-2 | ★ 11.25.02.00 | 30.00 | Pedal Box, Mk1-3 |
| ★ 13.22.02.00 | 15.00 | Shroud, radiator, lower, Mk3-4 | ★ 14.25.02.00 | 15.00 | Pedal Box, Mk4-5 |
| ★ 51.22.02.00 | 20.00 | Shroud, radiator, lower, for Cooper & Cooper S, Mk1-3 | ★ 11.25.03.00 | 8.00 | Brake Pedal, Mk1-3 |
| ★ 11.22.03.00 | PO.A. | Fan, metal, 16 blade, Mk1 | ★ 12.25.03.00 | 8.00 | Brake Pedal, Mk4 |
| 11.22.03.10 | 16.00 | Fan, metal, 6 blade, Mk1 | ★ 52.25.03.00 | 16.00 | Brake Pedal, for Mk1-3 Cooper 'S' |
| 11.22.03.15 | | Fan, metal, twin blade, Mk1 | ★ 11.25.04.01 | 10.00 | Bonnet Hinge, left hand, Mk1-2 |
| ★ 11.22.04.00 | 5.00 | Radiator Bracket, lower, 850, Mk1-2 | ★ 11.25.04.02 | 10.00 | Bonnet Hinge, right hand, Mk1-2 |
| 51.22.04.00 | 8.00 | Radiator Bracket, lower, for Cooper, Mk1-2 | ★ 13.25.04.01 | 8.00 | Bonnet Hinge, left hand, Mk3-5 |
| ★ 11.22.05.00 | 5.00 | Radiator Bracket, lower, 1000, Mk1-3 | ★ 13.25.04.02 | 8.00 | Bonnet Hinge, right hand, Mk3-5 |
| ★ 51.22.05.00 | 8.00 | Radiator Bracket, lower, for Cooper S, Mk1-3 | ★ 11.25.05.05 | 7.00 | Blanking Plate, bulkhead, Mk1 |
| ★ 11.22.07.05 | 7.00 | Radiator Bracket, upper, 850, Mk1, early | ★ 11.25.06.00 | 8.00 | Clutch Pedal, Mk1-5 |
| 13.22.07.05 | 7.00 | Radiator Bracket, upper, 1000 | ★ 11.71.00.00 | 6.50 | Bracket, coil mounting on dynamo, Mk1-2 |
| 51.22.07.05 | 7.00 | Radiator Bracket, upper, 1275S, Mk1, early | ★ 11.71.01.00 | 3.50 | Bracket, solenoid mounting, Mk1-2 |
| 52.22.07.05 | 6.00 | Radiator Bracket, upper, 1275S, Mk2-3 | 51.71.01.00 | 5.00 | Bracket, solenoid mounting, Mk1-2, for Cooper 'S' |
| 53.22.07.05 | 7.00 | Radiator Bracket, upper, 1275GT, Mk3-4 | ★ 11.72.00.09 | 100.00 | Heater Assembly, refurbished, Mk1-2, EXCHANGE |
| ★ 11.72.03.05 | 10.00 | Vent, heater intake, Mk1 | ★ 11.72.01.09 | 13.50 | Heater Control Panel, refurbished, Mk1-2 |
| ★ 12.72.03.05 | 8.00 | Vent, heater intake, Mk2 | ★ 11.72.02.39 | 10.00 | Heater Pipe Cover, left hand, Mk1-2 |
| ★ 11.70.04.05 | 10.00 | Thermostat Housing, with sender unit mounting, Mk1 | ★ 11.72.02.49 | 10.00 | Heater Pipe Cover, right hand, Mk1-2 |
| ★ 12.70.04.05 | 6.00 | Thermostat Housing, Mk2-3 | 51.71.07.00 | 6.94 | Bracket, oil cooler mounting, per pair |
| 14.70.04.05 | 5.00 | Thermostat Housing, Mk4-5 | ★ 31.72.00.09 | 85.00 | Heater, refurbished, Mk1-4, van & pickup |
| 11.72.06.05 | 2.00 | Strap, fresh air hose retaining, Mk1-2 | | | |

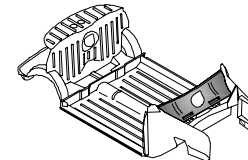
★ = refurbished unit



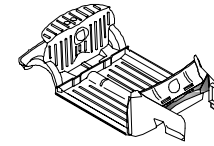
M-MACHINE

All prices EXCLUDE delivery & VAT

Unit 6, Forge Way, Cleveland Trading Estate
 Darlington, Co. Durham, England, DL1 2PJ
 Tel. & Fax: (01325) 381300
 sales@m-machine.co.uk



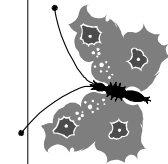
220



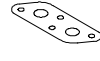
230

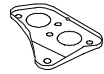
Unit 6, Forge Way, Cleveland Trading Estate
Darlington, Co. Durham, England, DL1 2PJ
Tel. & Fax (01325) 381300
sales@m-machine.co.uk

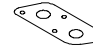
M - MACHINE





 11.24.01.05

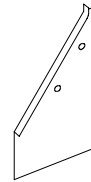
 11.24.02.05

11.24.00.05 

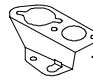
 11.24.05.05

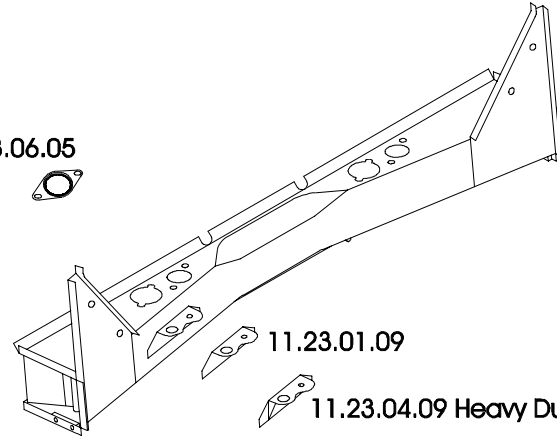
11.24.04.05 


16.23.06.05 


 11.23.05.03 LH
11.23.05.04 RH


16.24.00.03 Hydrolastic 

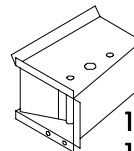
 16.24.01.04 Hydrolastic



 11.23.01.09

 11.23.04.09 Heavy Duty

 11.24.03.05
16.24.03.05 Hydrolastic

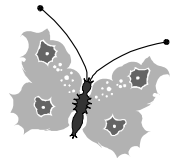
 11.23.03.01 LH Dry
11.23.03.02 RH

16.23.03.01 LH Hydrolastic
16.23.03.02 RH

| PART NO. | PRICE | DESCRIPTION | PART NO. | PRICE | DESCRIPTION |
|---------------|-------|--|---------------|-------|---|
| 11.23.01.09 | 4.50 | Bracket, engine stabilizer, on bulkhead, Mk1-5 | 11.24.00.05 | 8.00 | Master Cylinder Brack, Mk1 |
| 11.23.03.01 | 31.50 | End Repair, bulkhead crossmember, dry, left hand, Mk1&3 | 12.24.00.05 | 8.00 | Master Cylinder Bracket, Mk2-4 |
| 11.23.03.02 | 31.50 | End Repair, bulkhead crossmember, dry, right hand, Mk1&3 | ★ 15.24.00.05 | 8.00 | Master Cylinder Bracket, Mk5 on |
| 11.23.03.05 | 10.00 | End Repair, 'Crush Insert' Mk1-3 | 16.24.00.05 | 8.00 | Master Cylinder Bracket, hydrolastic, Mk1-3 |
| 16.23.03.01 | 31.50 | End Repair, bulkhead crossmember, hydrolastic, left hand, Mk1-2 | 11.24.01.05 | 5.00 | Bracket, heater hose side, Mk1 |
| 16.23.03.02 | 31.50 | End Repair, bulkhead crossmember, hydrolastic, right hand, Mk1-2 | ★ 12.24.01.05 | 5.00 | Bracket, heater hose side, Mk2-5 |
| 11.23.04.09 | 7.00 | Bracket, engine stabilizer, on bulkhead, Heavy Duty, Mk1-5 | ★ 16.24.01.03 | 5.00 | Bracket, heater hose side, hydrolastic, Mk1 |
| 11.23.05.03 | 26.50 | Bracket, crossmember to inner wing, left hand, Mk1-2 | 16.24.01.04 | 5.00 | Bracket, heater hose side, hydrolastic Mk2-3 |
| 11.23.05.04 | 26.50 | Bracket, crossmember to inner wing, right hand, Mk1-2 | ★ 11.24.02.05 | 5.00 | Heater Hose Pass Through, Mk1 |
| 13.23.05.03 | 26.50 | Bracket, crossmember to inner wing, left hand, Mk 3-5 | ★ 12.24.02.05 | 5.00 | Heater Hose Pass-Through, Mk2-5 |
| 13.23.05.04 | 26.50 | Bracket, crossmember to inner wing, right hand, Mk 3-5 | 15.24.02.05 | 5.00 | Heater Hose Pass-Through, blank |
| 73.23.05.03 | 26.50 | Bracket, crossmember to inner wing, left hand, Mk3-4, for Clubma | 11.24.03.05 | 3.00 | Bracket, brake Tpiece to bulkhead, Mk1&3 |
| 73.23.05.04 | 26.50 | Bracket, crossmember to inner wing, right hand, Mk3-4, for Clubma | ★ 16.24.03.05 | 5.00 | Bracket, brake Tpiece to bulkhead, hydrolastic, Mk1-3 |
| ★ 16.23.06.05 | 5.00 | Retainer, sleeve protector, bulkhead crossmember, hydrolastic, Mk1-3 | 11.24.04.05 | .80 | Gasket, master cylinder, Mk1-5 |
| | | | 11.24.05.05 | .80 | Gasket, heater hose pass through, Mk1-5 |

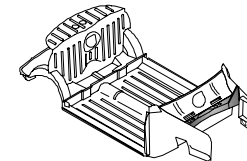
All prices EXCLUDE delivery & VAT

★ = refurbished unit

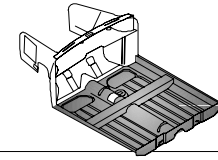
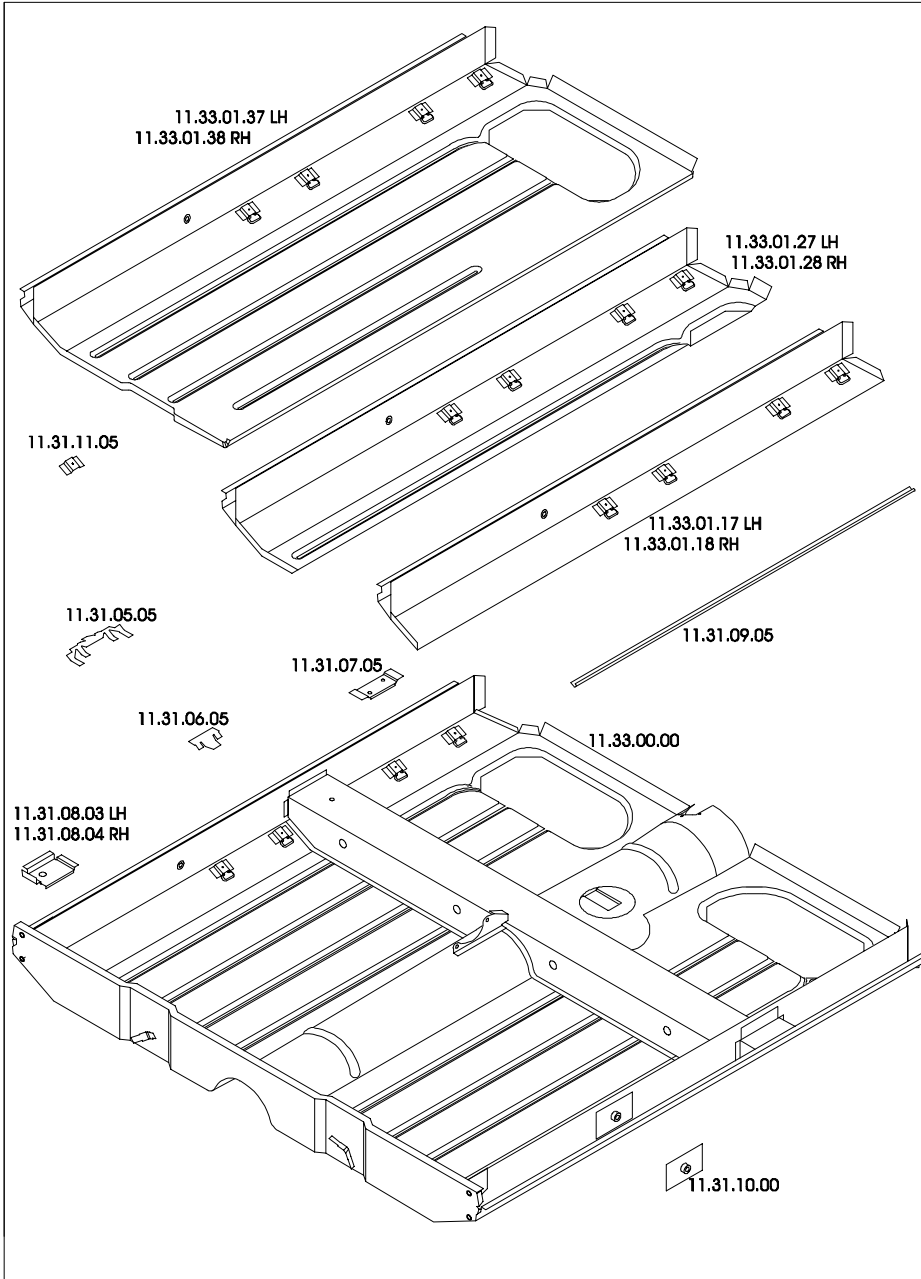


M-MACHINE

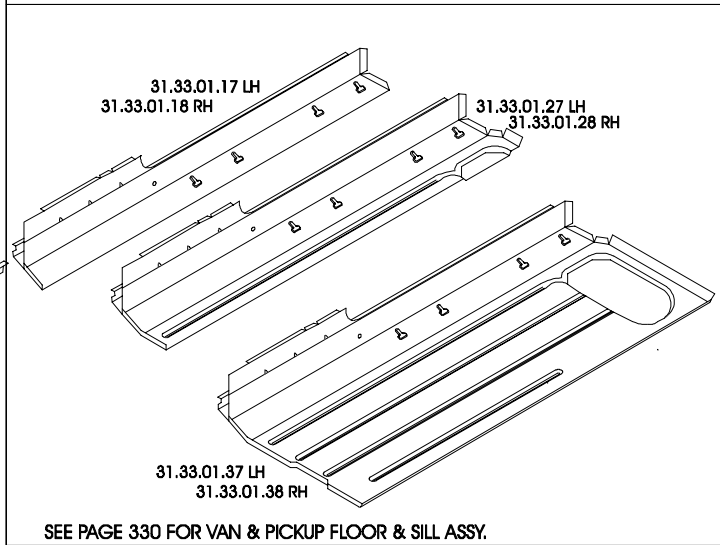
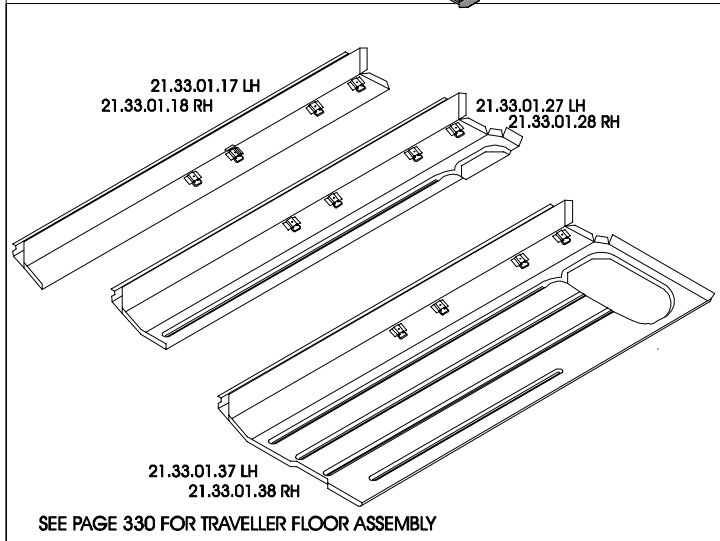
Unit 6, Forge Way, Cleveland Trading Estate
 Darlington, Co. Durham, England, DL1 2PJ
 Tel. & Fax (01325) 381300
 sales@m-machine.co.uk



230

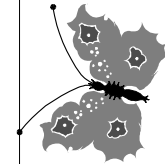


310



Unit 6, Forge Way, Cleveland Trading Estate
Darlington, Co. Durham, England, DL1 2PJ
Tel. & Fax (01325) 381300
sales@m-machine.co.uk

M-MACHINE



| PART NO. | PRICE | DESCRIPTION | PART NO. | PRICE | DESCRIPTION |
|-------------|--------|--|---|--------|--|
| 11.31.05.05 | 2.75 | Support, cable/pipe, 4 finger, Mk1-5 | 21.33.01.17 | 47.50 | Inner & Outer Sill Assembly, left hand, Mk1-3, traveller |
| 11.31.06.05 | 1.20 | Support, cable/pipe, 3 finger, Mk1-5 | 21.33.01.18 | 47.50 | Inner & Outer Sill Assembly, right hand, Mk1-3, traveller |
| 11.31.07.05 | 3.00 | Jackstand, floor, front, Mk1-5 | 84.33.01.17 | 52.50 | Inner & Outer Sill Assembly, left hand, Mk4, estate |
| 11.31.08.03 | 4.00 | Jackstand, floor, rear, left hand, Mk1-5 | 84.33.01.18 | 52.50 | Inner & Outer Sill Assembly, right hand, Mk4, estate |
| 11.31.08.04 | 4.00 | Jackstand, floor, rear, right hand, Mk1-5 | 21.33.01.27 | 57.50 | Sill to first groove Assembly, left hand, Mk1-3, traveller |
| 11.31.09.05 | 6.00 | Retaining Strip, battery cable, Mk1-3 | 21.33.01.28 | 57.50 | Sill to first groove Assembly, right hand, Mk1-3, traveller |
| 11.31.10.00 | 2.00 | Seat Belt Mounting, plate & nut, Mk1-5 | 84.33.01.27 | 65.00 | Sill to first groove Assembly, left hand, Mk4, estate |
| 11.31.11.05 | .40 | Carpet Clip Mounting Plate, Mk1-5 | 84.33.01.28 | 65.00 | Sill to first groove Assembly, right hand, Mk4, estate |
| 11.33.00.00 | 505.00 | Floor Assembly, complete, round tunnel, Mk1 | 21.33.01.37 | 82.50 | Sill & Floor Half Assembly, left hand, Mk1-3, traveller |
| 12.33.00.00 | 505.00 | Floor Assembly, complete, round tunnel, Mk2-3, also Mk1-3 Cooper & S | 21.33.01.38 | 82.50 | Sill & Floor Half Assembly, right hand, Mk1-3, traveller |
| 13.33.00.00 | 505.00 | Floor Assembly, complete, square tunnel, Mk3-4 | 84.33.01.37 | 89.50 | Sill & Floor Half Assembly, left hand, Mk4, estate |
| 11.33.01.17 | 52.50 | Inner & Outer Sill Assembly, complete, left hand Mk1-3 | 84.33.01.38 | 89.50 | Sill & Floor Half Assembly, right hand, Mk4, estate |
| 11.33.01.18 | 52.50 | Inner & Outer Sill Assembly, complete, right hand Mk1-3 | N.B All floor & sill sections come complete with appropriate fittings | | |
| 14.33.01.17 | 57.50 | Inner & Outer Sill Assembly, complete, left hand Mk3-5 | 31.33.01.17 | 62.50 | Inner Sill, Outer Sill & Stiffener Assy, left hand, Mk1-3, van & pickup |
| 14.33.01.18 | 57.50 | Inner & Outer Sill Assembly, complete, right hand Mk3-5 | 31.33.01.18 | 62.50 | Inner Sill, Outer Sill & Stiffener Assy, right hand, Mk1-3, van & pickup |
| 11.33.01.27 | 63.00 | Sill to first groove Assembly, complete, left hand Mk1-3 | 34.33.01.17 | 67.50 | Inner Sill, Outer Sill & Stiffener Assy, left hand, Mk4, van & pickup |
| 11.33.01.28 | 63.00 | Sill to first groove Assembly, complete, right hand Mk1-3 | 34.33.01.18 | 67.50 | Inner Sill, Outer Sill & Stiffener Assy, right hand, Mk4, van & pickup |
| 14.33.01.27 | 70.00 | Sill to first groove Assembly, complete, left hand Mk3-5 | 31.33.01.27 | 72.50 | Sill to first groove & Stiffener Assy, left hand, Mk1-3, van & pickup |
| 14.33.01.28 | 70.00 | Sill to first groove Assembly, complete, right hand Mk3-5 | 31.33.01.28 | 72.50 | Sill to first groove & Stiffener Assy, right hand, Mk1-3, van & pickup |
| 11.33.01.37 | 94.50 | Sill & Floor Half Assembly, complete, left hand Mk1-3 | 34.33.01.27 | 77.50 | Sill to first groove & Stiffener Assy, left hand, Mk4, van & pickup |
| 11.33.01.38 | 94.50 | Sill & Floor Half Assembly, complete, right hand Mk1-3 | 34.33.01.28 | 77.50 | Sill to first groove & Stiffener Assy, right hand, Mk4, van & pickup |
| 14.33.01.37 | 99.50 | Sill & Floor Half Assembly, complete, left hand Mk3-5 | 31.33.01.37 | 97.50 | Sill, Floor Half & Stiffener Assy, left hand, Mk1-3, van & pickup |
| 14.33.01.38 | 99.50 | Sill & Floor Half Assembly, complete, right hand Mk3-5 | 31.33.01.38 | 97.50 | Sill, Floor Half & Stiffener Assy, right hand, Mk1-3, van & pickup |
| | | | 34.33.01.37 | 102.50 | Sill, Floor Half & Stiffener Assy, left hand, Mk4, van & pickup |
| | | | 34.33.01.38 | 102.50 | Sill, Floor Half & Stiffener Assy, right hand, Mk4, van & pickup |

N.B All floor & sill sections come complete with appropriate fittings on the underside.

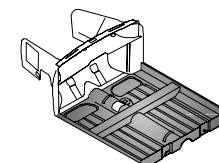
★ = refurbished unit



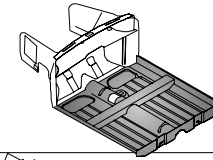
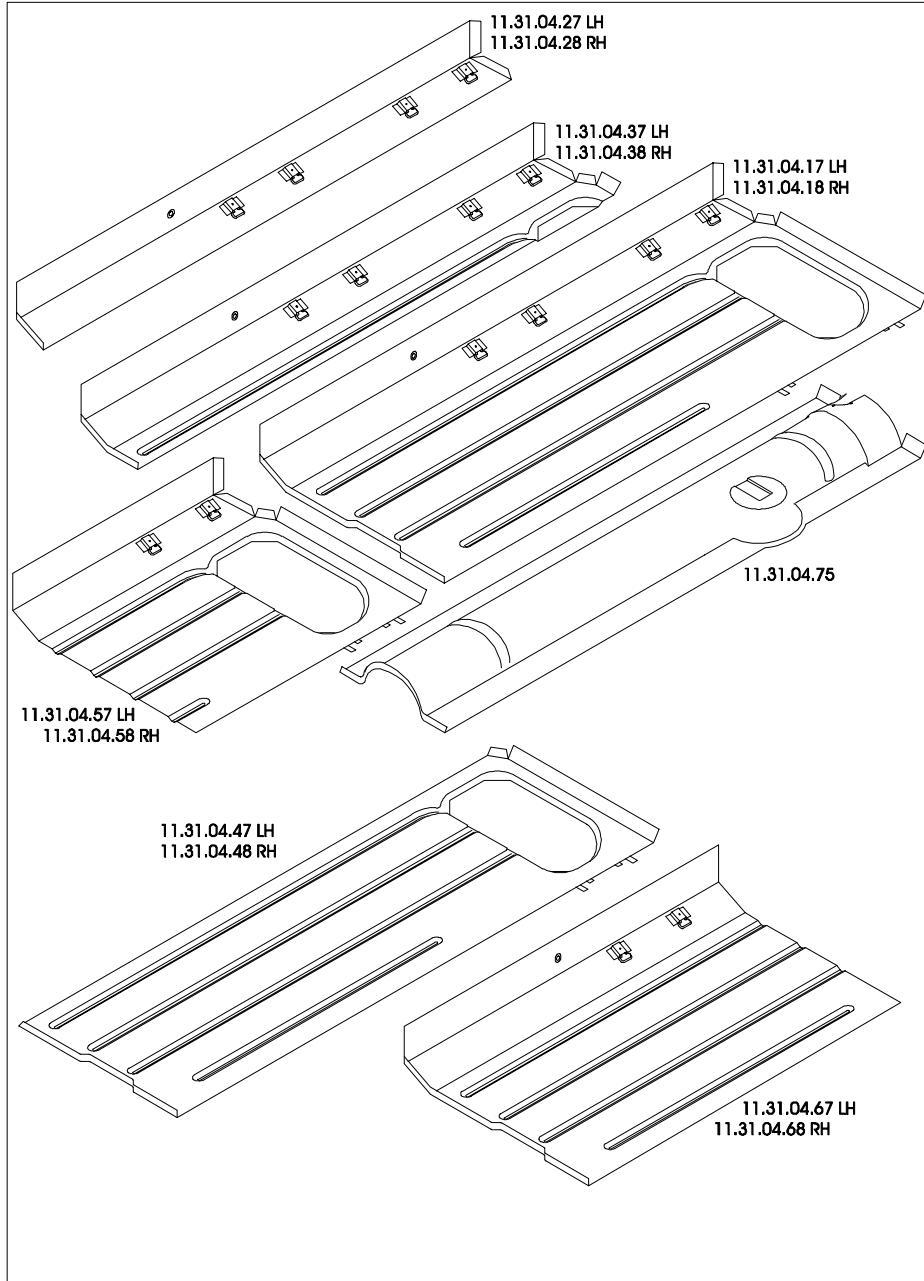
M-MACHINE

All prices EXCLUDE delivery & VAT

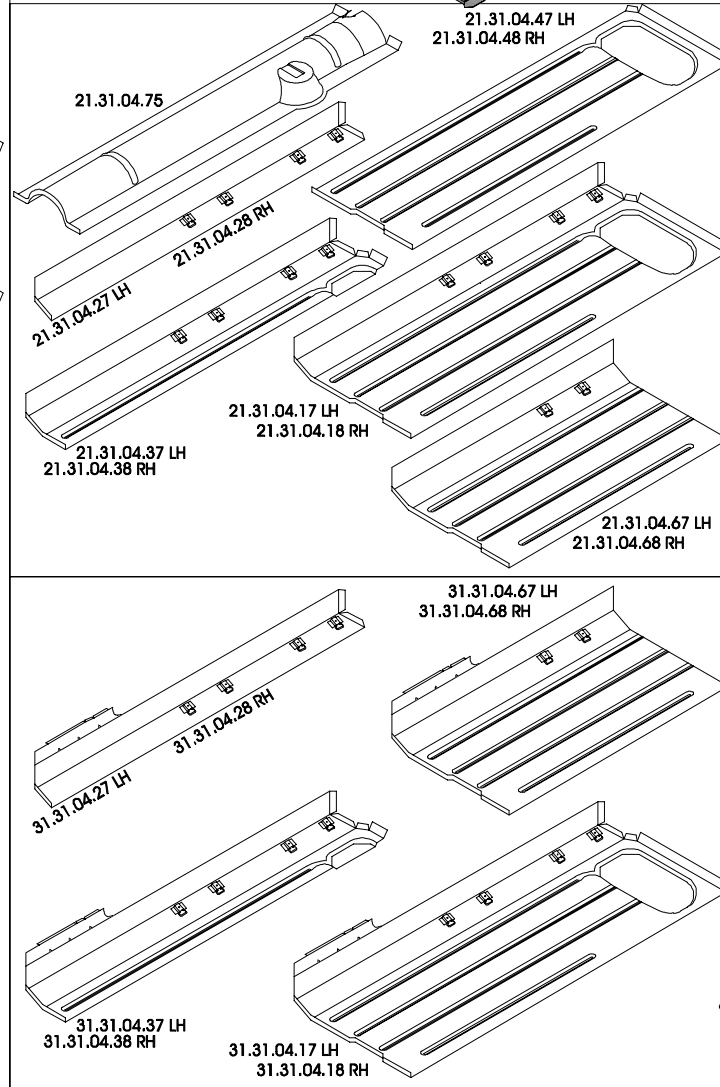
Unit 6, Forge Way, Cleveland Trading Estate
 Darlington, Co. Durham, England, DL1 2PJ
 Tel. & Fax (01325) 381300
 sales@m-machine.co.uk



310

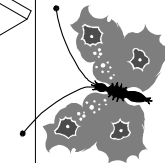


320



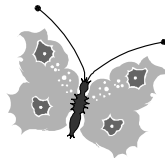
Unit 6, Forge Way, Cleveland Trading Estate
Darlington, Co. Durham, England, DL1 2RJ
Tel. & Fax: (01325) 381300
sales@m-machine.co.uk

M-MACHINE



| PART NO. | PRICE | DESCRIPTION | PART NO. | PRICE | DESCRIPTION |
|-------------|--------|--|-------------|--------|--|
| 11.31.04.17 | 65.00 | Floor Half, left hand, Mk1-5 | 21.31.04.17 | 65.00 | Floor Half, left hand, Mk1-4 traveller |
| 11.31.04.18 | 65.00 | Floor Half, right hand, Mk1-5 | 21.31.04.18 | 65.00 | Floor Half, right hand, Mk1-4 traveller |
| 11.31.04.27 | 21.00 | Inner Sill, left hand, Mk1-5 | 21.31.04.27 | 21.00 | Inner Sill, left hand, Mk1-4 traveller |
| 11.31.04.28 | 21.00 | Inner Sill, right hand, Mk1-5 | 21.31.04.28 | 21.00 | Inner Sill, right hand, Mk1-4 traveller |
| 11.31.04.37 | 29.50 | Floor Inner Sill to First Groove, left hand, Mk1-5 | 21.31.04.37 | 29.50 | Floor Inner Sill to First Groove, left hand, Mk1-4 traveller |
| 11.31.04.38 | 29.50 | Floor Inner Sill to First Groove, right hand, Mk1-5 | 21.31.04.38 | 29.50 | Floor Inner Sill to First Groove, right hand, Mk1-4 traveller |
| 11.31.04.47 | 40.00 | Floor Half, no inner sill, left hand, Mk1-5 | 21.31.04.47 | 40.00 | Floor Half, no inner sill, left hand, Mk1-4 traveller, van & pickup |
| 11.31.04.48 | 40.00 | Floor Half, no inner sill, right hand, Mk1-5 | 21.31.04.48 | 40.00 | Floor Half, no inner sill, right hand, Mk1-4 traveller, van & pickup |
| 11.31.04.57 | 28.50 | Floor Front Quarter, with jackstand, left hand, Mk1-5 | 21.31.04.67 | 25.00 | Floor Rear Quarter, left hand, Mk1-4 traveller |
| 11.31.04.58 | 28.50 | Floor Front Quarter, with jackstand, right hand, Mk1-5 | 21.31.04.68 | 25.00 | Floor Rear Quarter, right hand, Mk1-4 traveller |
| 11.31.04.67 | 24.00 | Floor Rear Quarter, left hand, Mk1-5 | 21.31.04.75 | 90.00 | Tunnel, round, Mk1 traveller, Mk1-2 van & pickup |
| 11.31.04.68 | 24.00 | Floor Rear Quarter, right hand, Mk1-5 | 22.31.04.75 | 105.00 | Tunnel, round, remote shift, Mk2 traveller |
| 11.31.04.75 | 85.00 | Tunnel, round, Mk1 (not Remote) | 83.31.04.75 | 105.00 | Tunnel, square, Mk3-4 estate, van & pickup |
| 12.31.04.75 | 105.00 | Tunnel, round, remote shift, Mk2 & Mk1-2 | | | |
| 13.31.04.75 | 55.00 | Tunnel, square, Mk3-5 | | | |
| | | | | | N.B Tunnels & Floors for van & pickup come complete with appropriate cable & pipe tags |
| | | | 31.31.04.17 | 78.50 | Floor Half, left hand, van & pickup |
| | | | 31.31.04.18 | 78.50 | Floor Half, right hand, van & pickup |
| | | | 31.31.04.27 | 34.50 | Inner Sill, left hand, van & pickup |
| | | | 31.31.04.28 | 34.50 | Inner Sill, right hand, van & pickup |
| | | | 31.31.04.37 | 43.00 | Floor Inner Sill to First Groove, left hand, van & pickup |
| | | | 31.31.04.38 | 43.00 | Floor Inner Sill to First Groove, right hand, van & pickup |
| | | | 31.31.04.67 | 38.50 | Floor Rear Quarter, left hand, van & pickup |
| | | | 31.31.04.68 | 38.50 | Floor Rear Quarter, right hand, van & pickup |

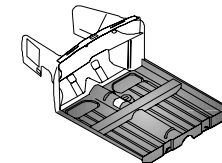
★ = refurbished unit



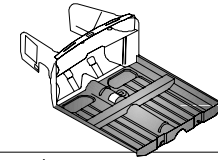
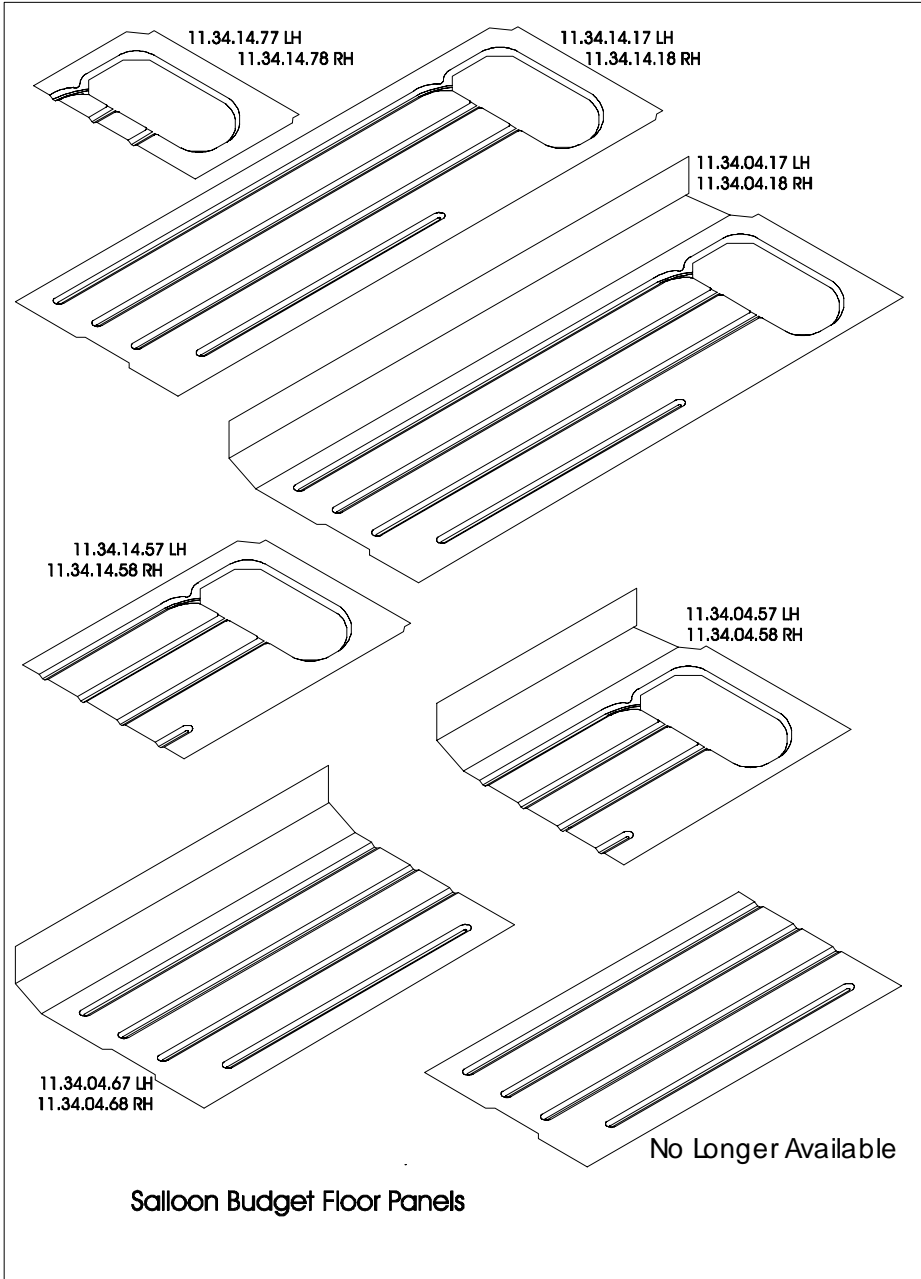
M-MACHINE

All prices EXCLUDE delivery & VAT

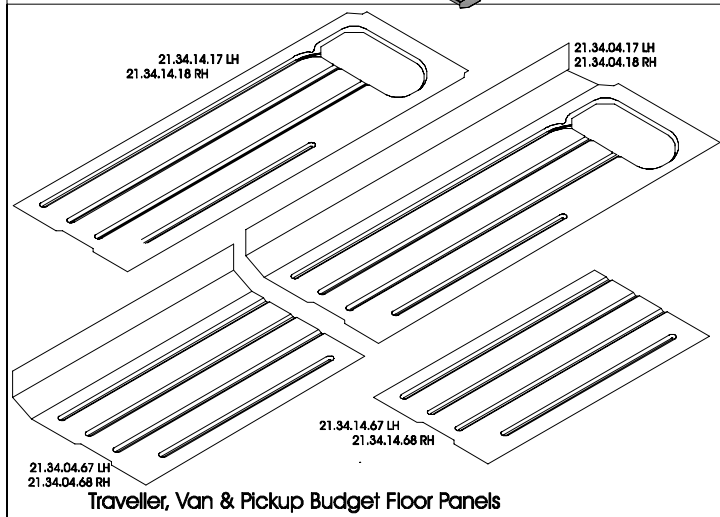
Unit 6, Forge Way, Cleveland Trading Estate
 Darlington, Co. Durham, England, DL1 2PJ
 Tel. & Fax: (01325) 381300
 sales@m-machine.co.uk



320

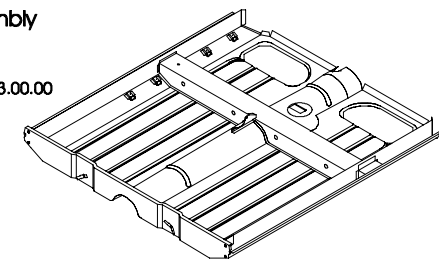


330



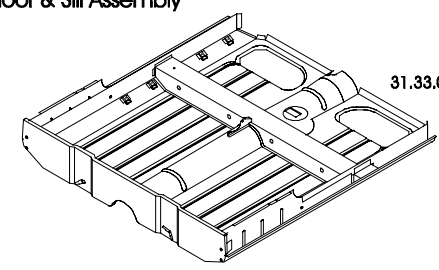
Traveller Floor & Sill Assembly

21.33.00.00



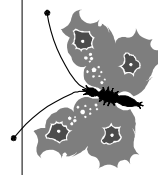
Van/Pickup Floor & Sill Assembly

31.33.00.00



Unit 6, Forge Way, Cleveland Trading Estate
Daington, Co. Durham, England, DL1 2PJ
Tel. & Fax (01325) 381300
sales@m-machine.co.uk

M-MACHINE



m-machine 01325 381300

| PART NO. | PRICE | DESCRIPTION | PART NO. | PRICE | DESCRIPTION |
|-------------|-------|---|-------------|--------|---|
| 11.34.04.17 | 45.00 | Floor Half, left hand, Mk1-5 | 21.34.04.17 | 45.00 | Floor Half, left hand, Mk1-4, traveller |
| 11.34.04.18 | 45.00 | Floor Half, right hand, Mk1-5 | 21.34.04.18 | 45.00 | Floor Half, right hand, Mk1-4, traveller |
| 11.34.04.57 | 17.50 | Floor Front Quarter, left hand, Mk1-5 | 21.34.04.67 | 18.50 | Floor Rear Quarter, left hand, Mk1-4, traveller |
| 11.34.04.58 | 17.50 | Floor Front Quarter, right hand, Mk1-5 | 21.34.04.68 | 18.50 | Floor Rear Quarter, right hand, Mk1-4, traveller |
| 11.34.04.67 | 20.00 | Floor Rear Quarter, left hand, Mk1-5 | 21.34.14.17 | 26.00 | Flat Floor Half, left hand, Mk1-4, traveller |
| 11.34.04.68 | 20.00 | Floor Rear Quarter, right hand, Mk1-5 | 21.34.14.18 | 26.00 | Flat Floor Half, right hand, Mk1-4, traveller |
| 11.34.14.17 | 26.00 | Flat Floor Half, left hand, Mk1-5 | 21.34.14.67 | | Please use 21.34.04.67 |
| 11.34.14.18 | 26.00 | Flat Floor Half, right hand, Mk1-5 | 21.34.14.68 | | Please use 21.34.04.68 |
| 11.34.14.57 | 8.75 | Flat Floor Front Quarter, left hand, Mk1-5 | 21.33.00.00 | 505.00 | Floor Assembly, complete, round tunnel, Mk1 traveller |
| 11.34.14.58 | 8.75 | Flat Floor Front Quarter, right hand, Mk1-5 | 22.33.00.00 | 505.00 | Floor Assembly, complete, round tunnel, remote shift, Mk2 traveller |
| 11.34.14.67 | | Please use 11.34.04.67 | 83.33.00.00 | 540.00 | Floor Assembly, complete, square tunnel, Mk3-4 estate |
| 11.34.14.68 | | Please use 11.34.04.68 | | | |
| 11.34.14.77 | 7.00 | Flat Floor Footwell, left hand, Mk1-5 | 31.33.00.00 | 525.00 | Floor Assembly, complete, round tunnel, Mk1-2 van & pickup |
| 11.34.14.78 | 7.00 | Flat Floor Footwell, right hand, Mk1-5 | 33.33.00.00 | 555.00 | Floor Assembly, complete, square tunnel, Mk3-4 van & pickup |

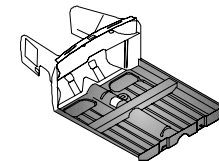
★ = refurbished unit



M-MACHINE

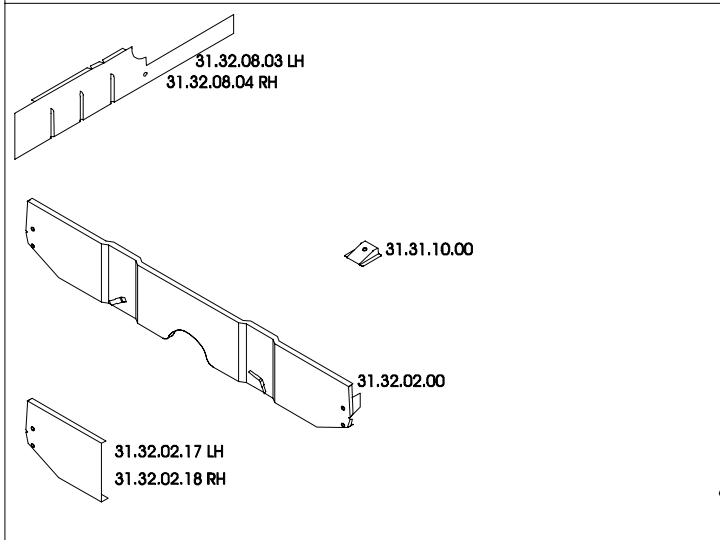
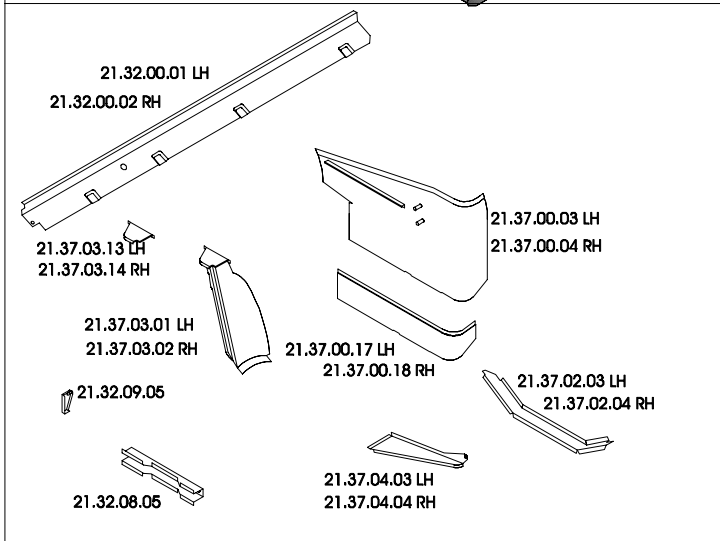
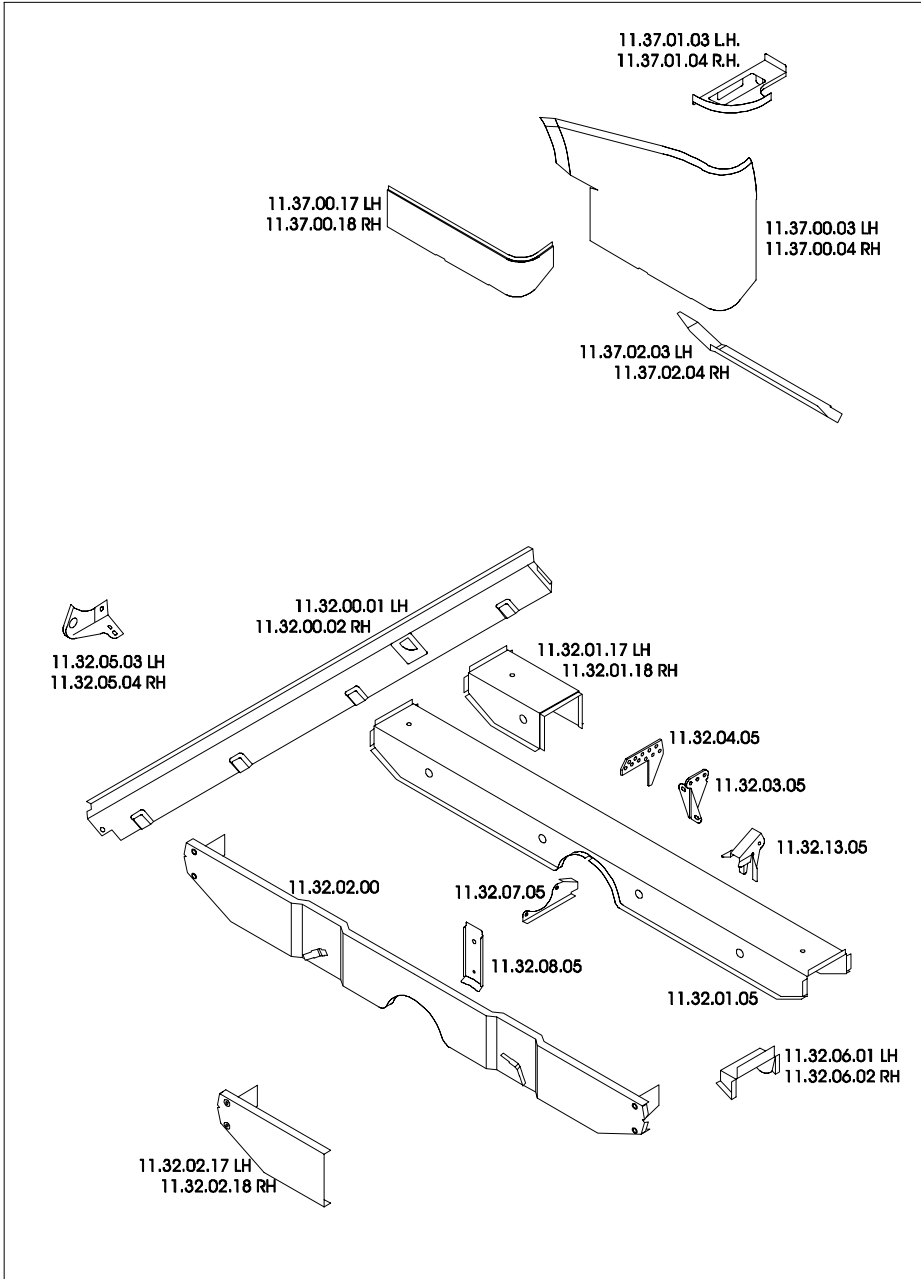
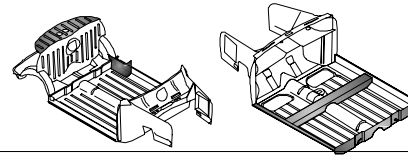
All prices EXCLUDE delivery & VAT

Unit 6, Forge Way, Cleveland Trading Estate
 Darlington, Co. Durham, England, DL1 2PJ
 Tel. & Fax (01325) 381300
 sales@m-machine.co.uk



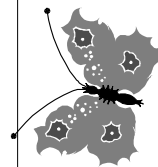
330

340



Unit 6, Forge Way, Cleveland Trading Estate
 Darlington, Co. Durham, England, DL1 2PJ
 Tel. & Fax (01325) 381300
 sales@m-machine.co.uk

M-MACHINE



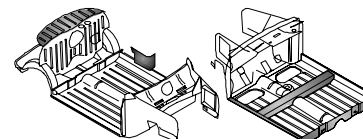
| PART NO. | PRICE | DESCRIPTION | PART NO. | PRICE | DESCRIPTION |
|---------------|-------|--|---------------|-------|--|
| 11.32.00.01 | 14.00 | Sill, left hand, Mk1-3 | 21.32.00.01 | 14.00 | Sill, left hand, Mk1-3, traveller, Van & Pick-up |
| 11.32.00.02 | 14.00 | Sill, right hand, Mk1-3 | 21.32.00.02 | 14.00 | Sill, right hand, Mk1-3, traveller, Van & Pick-up |
| 14.32.00.01 | 18.50 | Sill, left hand, Mk3-4 | 24.32.00.01 | 18.50 | Sill, left hand, Mk3-4, traveller, Van & Pick-up |
| 14.32.00.02 | 18.50 | Sill, right hand, Mk3-4 | 24.32.00.02 | 18.50 | Sill, right hand, Mk3-4, traveller, Van & Pick-up |
| 14.32.00.11 | 10.50 | Sill, left hand, wide, BUDGET | 24.32.00.11 | 10.50 | Sill, left hand, traveller, BUDGET |
| 14.32.00.12 | 10.50 | Sill, right hand, wide, BUDGET | 24.32.00.12 | 10.50 | Sill, right hand, traveller, BUDGET |
| 11.32.01.05 | 44.00 | Crossmember, seat, round tunnel, Mk1-3 | ★ 21.32.08.05 | 6.00 | Battery Spacer Bracket, Mk1-4, traveller |
| 13.32.01.05 | 48.50 | Crossmember, seat, square tunnel, Mk3-4 | 21.32.09.05 | 3.75 | Battery Clamp Bracket, Mk1-4, traveller |
| 11.32.01.17 | 15.00 | End Repair, seat crossmember left hand, Mk1-4 | 21.37.00.03 | 42.00 | Companion Box, left hand, Mk1-2, traveller |
| 11.32.01.18 | 15.00 | End Repair, seat crossmember right hand, Mk1-4 | 21.37.00.04 | 42.00 | Companion Box, right hand, Mk1-2, traveller |
| 11.32.02.00 | 42.00 | Mounting Panel, rear sub-frame, Mk1-4 | 83.37.00.01 | 42.00 | Companion Box, left hand, Mk3, for Clubman estate |
| 15.32.02.00 | 33.60 | Mounting Panel, rear sub-frame, Mk5 | 83.37.00.02 | 42.00 | Companion Box, right hand, Mk3, for Clubman estate |
| 11.32.02.17 | 13.00 | End Repair, rear sub-frame mounting panel, LH, inc brkt, Mk1-4 | 21.37.00.17 | 11.00 | Repair, companion box, lower, left hand, Mk1-2, traveller |
| 11.32.02.18 | 13.00 | End Repair, rear sub-frame mounting panel, RH, inc brkt, Mk1-4 | 21.37.00.18 | 11.00 | Repair, companion box, lower, right hand, Mk1-2, traveller |
| 11.32.02.27 | 4.00 | Bracket, Rear Subframe mounting LH, with captive nuts | 83.37.00.17 | 11.00 | Repair, companion box, lower, left hand, Mk3-4, for Cluman estate |
| 11.32.02.28 | 4.00 | Bracket, rear Subframe mounting RH, with captive nuts | 83.37.00.18 | 11.00 | Repair, companion box, lower, right hand, Mk3-4, for Clubman estate |
| ★ 11.32.03.05 | 5.00 | Bracket, seat mounting, Mk1-4 | 21.37.02.03 | 4.50 | Plate, companion box closing, left hand, Mk1-4, traveller |
| ★ 11.32.13.05 | 7.00 | Bracket, seat mounting, Mk1, early | 21.37.02.04 | 4.50 | Plate, companion box closing, right hand, Mk1-4, traveller |
| 11.32.04.05 | 10.00 | Seat Adjusters, pair, Mk1-4 | ★ 21.37.03.01 | 18.00 | Support Assembly, rear seat back, left hand, Mk1-4, traveller |
| 11.32.05.03 | 5.00 | Nipple Shroud, left hand, Mk1-2 | ★ 21.37.03.02 | 18.00 | Support Assembly, rear seat back, right hand, Mk1-4, traveller |
| 11.32.05.04 | 5.00 | Nipple Shroud, right hand, Mk1-2 | 21.37.03.13 | 4.25 | Capping piece, support, rear seat back, left hand, Mk1-4, traveller |
| 11.32.06.01 | 7.00 | Jacking Point, left hand, Mk1-4 | 21.37.03.14 | 4.25 | Capping piece, support, rear seat back, right hand, Mk1-4, traveller |
| 11.32.06.02 | 7.00 | Jacking Point, right hand, Mk1-4 | ★ 21.37.04.03 | 9.00 | Support, rear seat squab, left hand, Mk1-4, traveller |
| 11.32.07.05 | 4.75 | Hand Brake Mounting Bracket, Mk1-3 | ★ 21.37.04.04 | 9.00 | Support, rear seat squab, right hand, Mk1-4, traveller |
| 11.32.08.05 | 5.00 | Support, reat seat front to tunnel, Mk1-4 | ★ 31.31.10.00 | 5.00 | Bracket, spare wheel, Mk1-4 van & pickup |
| 11.37.00.03 | 19.50 | Companion Box, left hand, Mk1-2 | 31.32.02.00 | 49.85 | Mounting Panel, rear subframe, Mk1-4 van & pickup |
| 11.37.00.04 | 19.50 | Companion Box, right hand, Mk1-2 | 31.32.02.17 | 16.80 | End Repair, rear subframe mounting panel, left hand, Mk1-4 van. p/u |
| 13.37.00.03 | 19.50 | Companion Box, left hand, Mk3 on | 31.32.02.18 | 16.80 | End Repair, rear subframe mounting panel, right hand, Mk1-4 van, p/u |
| 13.37.00.04 | 19.50 | Companion Box, right hand, Mk3 on | 31.32.08.03 | 13.50 | Stiffener, inner sill, LH, Mk1-4 van & pickup |
| 11.37.00.17 | 11.00 | Repair companion box, lower, left hand, Mk1-2 | 31.32.08.04 | 13.50 | Stiffener, inner sill, RH, Mk1-4 van & pickup |
| 11.37.00.18 | 11.00 | Repair companion box, lower, right hand, Mk1-2 | 31.32.08.05 | 7.85 | Support, load deck to tunnel Mk1-4 Van |
| 13.37.00.17 | 11.00 | Repair companion box, lower, left hand, Mk3-5 | 31.32.09.00 | 28.00 | Retainer, Battery, van & pickup |
| 13.37.00.18 | 11.00 | Repair companion box, lower, right hand, Mk3-5 | | | |
| 11.37.01.03 | PO.A. | Ash Tray Mount, companion box, left hand | | | |
| 11.37.01.04 | PO.A. | Ash Tray Mount, companion box, right hand | | | |
| 11.37.02.03 | 4.25 | Plate, companion box closing, left hand, Mk1-5 | | | |
| 11.37.02.04 | 4.25 | Plate, companion box closing, right hand, Mk1-5 | | | |

All prices EXCLUDE delivery & VAT

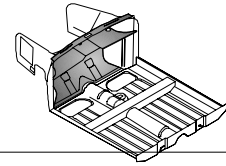
★ = refurbished unit



M-MACHINE



340

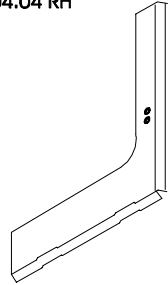


350



11.36.03.03 LH
11.36.03.04 RH

11.36.04.03 LH 1959-62
11.36.04.04 RH

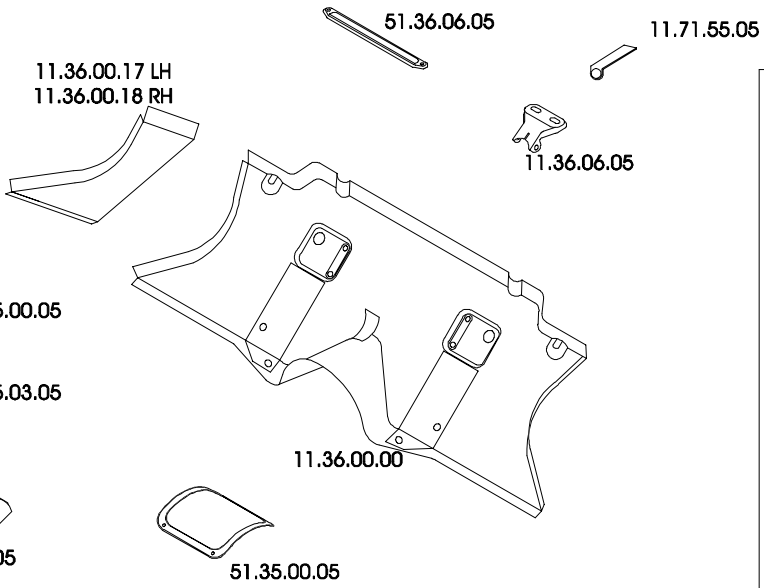


- | | | |
|---------|--|-------------|
| pre '63 | | 11.71.02.00 |
| pre '63 | | 11.71.02.01 |
| reostat | | 11.71.02.02 |
| reostat | | 11.71.02.03 |
| | | 12.71.02.00 |
| | | 13.71.02.00 |
| | | 13.71.02.01 |
| | | 14.71.02.00 |
| | | 14.71.02.01 |
| | | 15.71.02.00 |

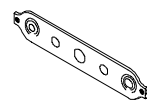
11.71.03.05

12.71.03.05

11.71.04.05



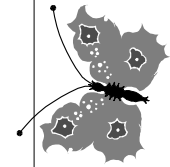
31.71.00.00



31.71.01.00

Unit 6, Forge Way, Cleveland Trading Estate
Darlington, Co. Durham, England, DL1 2PJ
Tel. & Fax (01325) 381300
sales@m-machine.co.uk

M-MACHINE



| PART NO. | PRICE | DESCRIPTION | PART NO. | PRICE | DESCRIPTION |
|---------------|-------|---|---------------|-------|--|
| 11.35.00.05 | 6.00 | Surround, gear shift gater, Mk1-3 | ★ 11.71.02.00 | 8.95 | Switch Mounting Panel, Mk1 pre 1963 |
| 14.35.00.05 | 6.00 | Surround, gear shift gater, Mk4-5 | ★ 11.71.02.01 | 8.95 | Switch Mounting Panel, for rheostat heater control, Mk1 pre 1963 |
| 51.35.00.05 | 9.95 | Surround, gear shift gater, Mk1-3 Cooper & 'S' | 11.71.02.02 | 8.95 | Switch Mounting Panel, Mk1 1963 on |
| 11.35.02.05 | 7.85 | Bracket, gear shift mounting, Mk2 also for Mk1-3 Cooper & 'S' | ★ 11.71.02.03 | 8.95 | Switch Mounting Panel, for rheostat heater control, Mk1 1963on |
| 51.35.03.05 | 6.25 | Blanking Panel, gear shift, Mk2 also for Mk1-3 Cooper & 'S' | 12.71.02.00 | 8.95 | Switch Mounting Panel, Mk2 |
| 11.36.00.00 | 95.00 | Toe Board, Mk1-3 | ★ 13.71.02.00 | 8.95 | Switch Mounting Panel, Mk3 |
| 14.36.00.00 | 60.00 | Toe Board, Mk4-5 | ★ 13.71.02.01 | 8.95 | Switch Mounting Panel, Mk3 |
| 11.36.00.17 | 14.00 | End Repair, toe board, left hand, Mk1-5 | ★ 14.71.02.00 | 8.95 | Switch Mounting Panel, Mk4 |
| 11.36.00.18 | 14.00 | End Repair, toe board, right hand, Mk1-5 | ★ 14.71.02.01 | 8.95 | Switch Mounting Panel, Mk4 |
| 13.36.02.05 | 18.00 | Dash Top Rail, Mk3-5 | ★ 15.71.02.00 | 8.95 | Switch Mounting Panel, Mk5 |
| 11.36.03.03 | 7.50 | Stiffener/Box Plate, A post, LH, Mk1-2 | 11.71.03.05 | 5.00 | Bezel, switch mounting panel, Mk1 |
| 11.36.03.04 | 7.50 | Stiffener/Box Plate, A post, RH, Mk1-2 | 12.71.03.05 | PO.A. | Bezel, switch mounting panel, Mk2-5 |
| 13.36.03.03 | 6.50 | Stiffener/Box Plate, A post, LH, Mk3-5 | 11.71.04.05 | 6.00 | Adaptor, switch mounting panel to Mk1 size, Mk2-5 |
| 13.36.03.04 | 6.50 | Stiffener/Box Plate, A post, RH, Mk3-5 | 11.71.55.05 | 3.2.5 | Bracket, Washer Pump Push, Mk1 |
| 11.36.04.03 | 13.50 | Stiffener, A post, left hand, Mk1 to 1962 | 12.71.55.05 | 3.25 | Bracket, Washer Pump Push, Mk2 |
| 11.36.04.04 | 13.50 | Stiffener, A post, right hand, Mk1 to 1962 | 31.71.00.00 | 8.95 | Switch Mounting Panel, Mk1 pre 1963 van & pickup |
| ★ 11.36.06.05 | 6.00 | Support, steering column, Mk1-5 | 31.71.01.00 | 8.95 | Switch Mounting Panel, Mk1 van & pickup |
| 51.36.06.05 | 9.00 | Surround, demist vent, chromed | 32.71.01.00 | 8.95 | Switch Mounting Panel, Mk2 van & pickup |
| 61.36.06.05 | 5.00 | Surround, demist vent, black | ★ 33.71.01.05 | 8.95 | Switch Mounting Panel, Mk3-4 van & pickup |

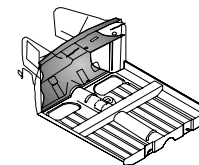
★ = refurbished unit



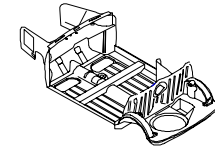
M-MACHINE

All prices EXCLUDE delivery & VAT

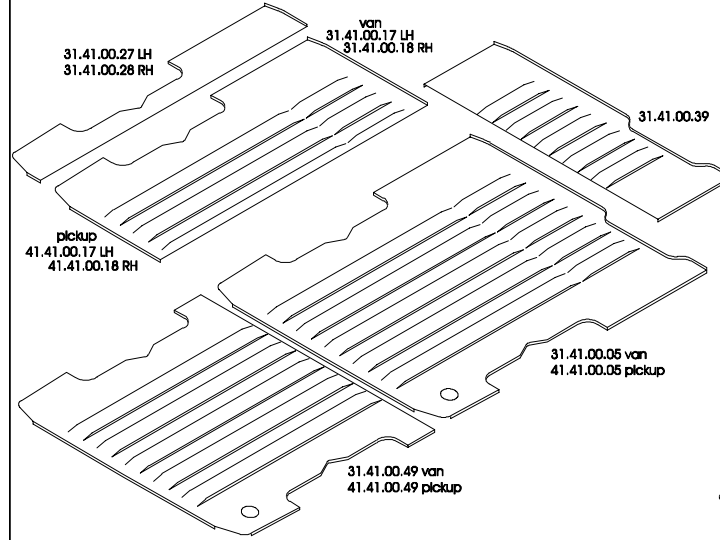
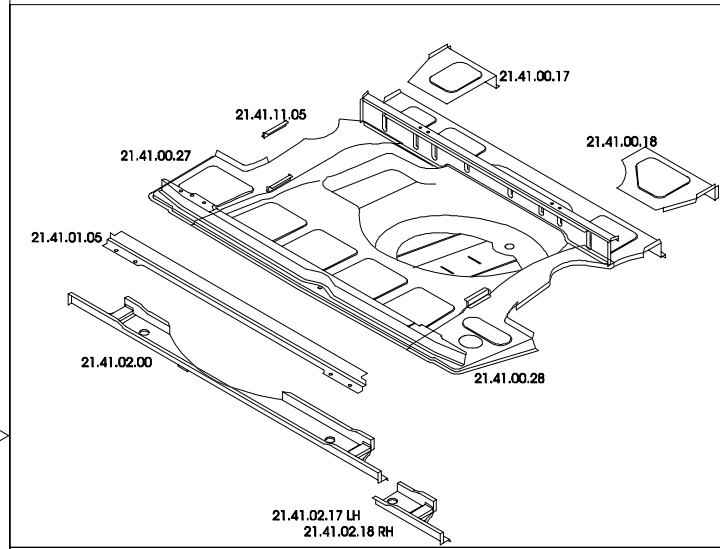
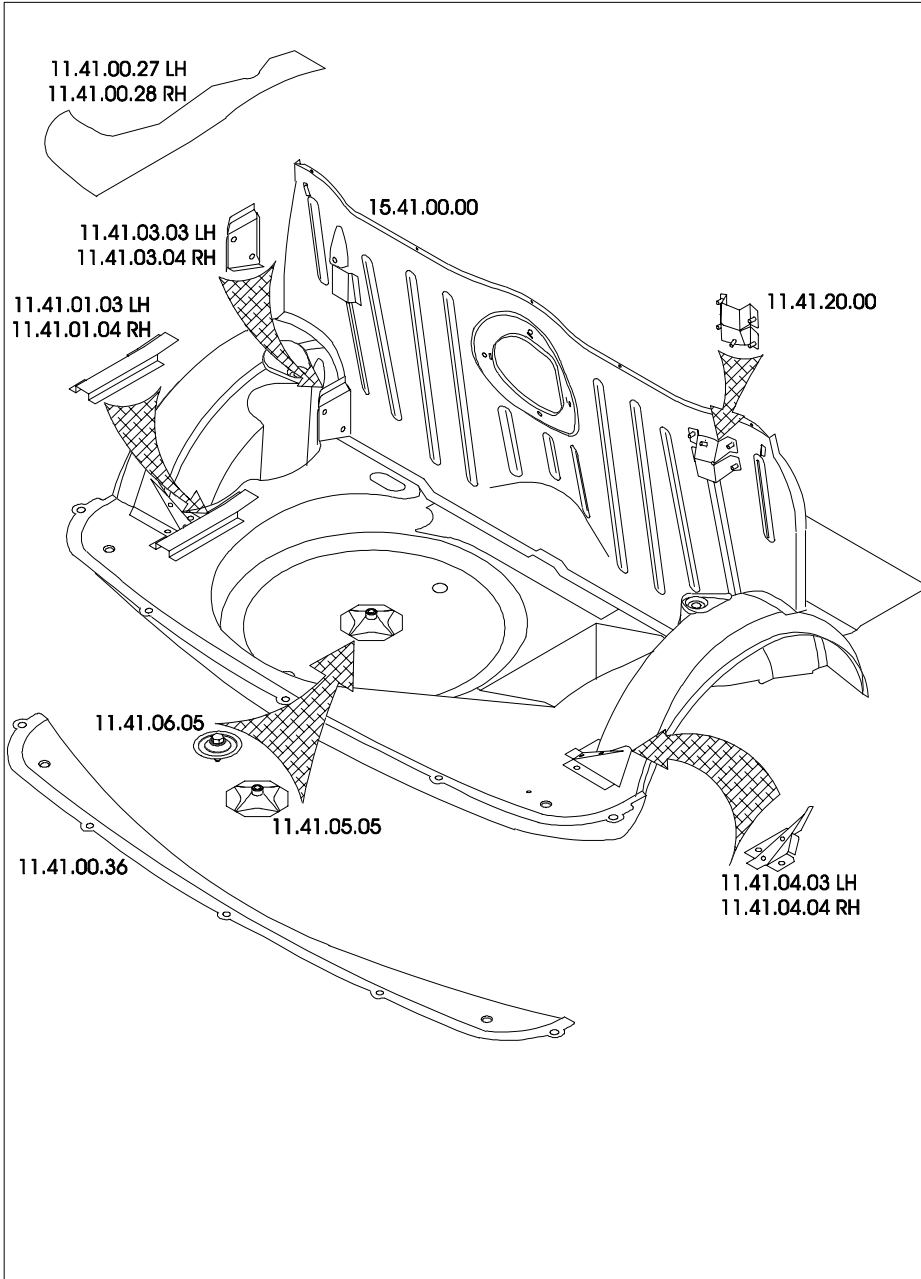
Unit 6, Forge Way, Cleveland Trading Estate
 Darlington, Co. Durham, England, DL1 2PJ
 Tel. & Fax: (01325) 381300
 sales@m-machine.co.uk



350

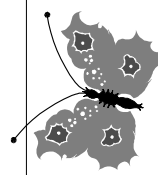


410



Unit 6, Forge Way, Cleveland Trading Estate
Darlington, Co. Durham, England, DL1 2PJ
Tel. & Fax (01325) 381300
sales@m-machine.co.uk

M-MACHINE



| PART NO. | PRICE | DESCRIPTION | PART NO. | PRICE | DESCRIPTION |
|-------------|-------|--|---------------|--------|---|
| 11.41.00.00 | PO.A. | Boot Floor, Mk1-2 | 21.41.00.17 | 13.00 | Front Corner Repair, boot floor, left hand, Mk1-4 traveller |
| 13.41.00.00 | PO.A. | Boot Floor, Mk3-4 | 21.41.00.18 | 13.00 | Front Corner Repair, boot floor, right hand, Mk1-4 traveller |
| 15.41.00.00 | POA | Boot Floor Assembly, late | | | |
| 15.41.00.05 | 84.00 | Boot Floor Skin, late | | | |
| 11.41.00.27 | 17.50 | Side Repair, boot floor, left hand, Mk1-5 | 21.41.00.27 | 22.50 | Side Repair, boot floor, left hand, Mk1-4 traveller |
| 11.41.00.28 | 17.50 | Side Repair, boot floor, right hand, Mk1-5 | 21.41.00.28 | 27.50 | Side Repair, boot floor, right hand, Mk1-4 traveller |
| 11.41.00.36 | 22.50 | Rear Edge Repair, boot floor, Mk1-5 | 21.41.00.37 | 8.00 | Rear Corner, boot floor, Repair, LH, traveller, Van, P-up |
| 11.41.00.37 | 14.00 | Rear Boot Floor Repair, Mk1-5 | 21.41.00.38 | 13.00 | Rear corner, boot floor, Repair, RH, traveller, Van, P-up |
| 11.41.01.03 | 5.00 | Tank Stand, left hand, Mk1-3 | 21.41.01.05 | 12.75 | Rear Step, Mk1-4 traveller & van |
| 11.41.01.04 | 5.00 | Tank Stand, right hand, Mk1-3 | 21.41.02.00 | 55.00 | Subframe Crossmember, Mk1-4 traveller |
| 11.41.03.03 | 8.00 | Stiffener, wheel arch to bulkhead, left hand, Mk1-5 | ★ 21.41.11.05 | 2.50 | Support, false floor, side, Mk1-4 traveller |
| 11.41.03.04 | 8.00 | Stiffener, wheel arch to bulkhead, right hand, Mk1-5 | 31.41.00.05 | PO.A. | Load Floor Skin, Mk1-4 van |
| 11.41.04.03 | 6.30 | Stiffener, wheel arch, left hand, Mk1-5 | 31.41.00.17 | 100.00 | Load Floor Half, left hand, Mk1-4 van |
| 11.41.04.04 | 6.30 | Stiffener, wheel arch, right hand, Mk1-5 | 31.41.00.18 | 100.00 | Load Floor Half, right hand, Mk1-4 van |
| 11.41.05.05 | 4.50 | Locator, spare wheel, Mk1 | 31.41.00.27 | 33.00 | Load Floor Edge Repair, left hand, Mk1-4 van & pickup |
| 11.41.06.05 | 10.50 | Clamp, spare wheel, Mk1 | 31.41.00.28 | 38.00 | Load Floor Edge Repair, right hand, Mk1-4 van & pickup |
| 11.41.20.00 | 14.00 | Bracket, right hand tank strap, Mk1-5 | 31.41.00.39 | 120.00 | Load Floor Repair, ahead of subframe mounting, Mk1-4 van & pickup |
| | | | 31.41.00.49 | 165.00 | Load Floor Repair, to rear of subframe mounting, Mk1-4 van |
| | | | 41.41.00.05 | 200.00 | Load Floor Skin, IN TWO PIECES, Mk1-4 pickup |
| | | | 41.41.00.17 | 100.00 | Load Floor Half, left hand, Mk1-4 pickup |
| | | | 41.41.00.18 | 100.00 | Load Floor Half, right hand, Mk1-4 pickup |
| | | | 41.41.00.49 | 165.00 | Load Floor Repair, to rear of subframe mounting, Mk1-4 pickup |

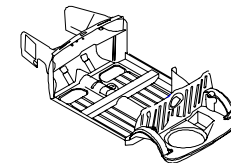
★ = refurbished unit



M-MACHINE

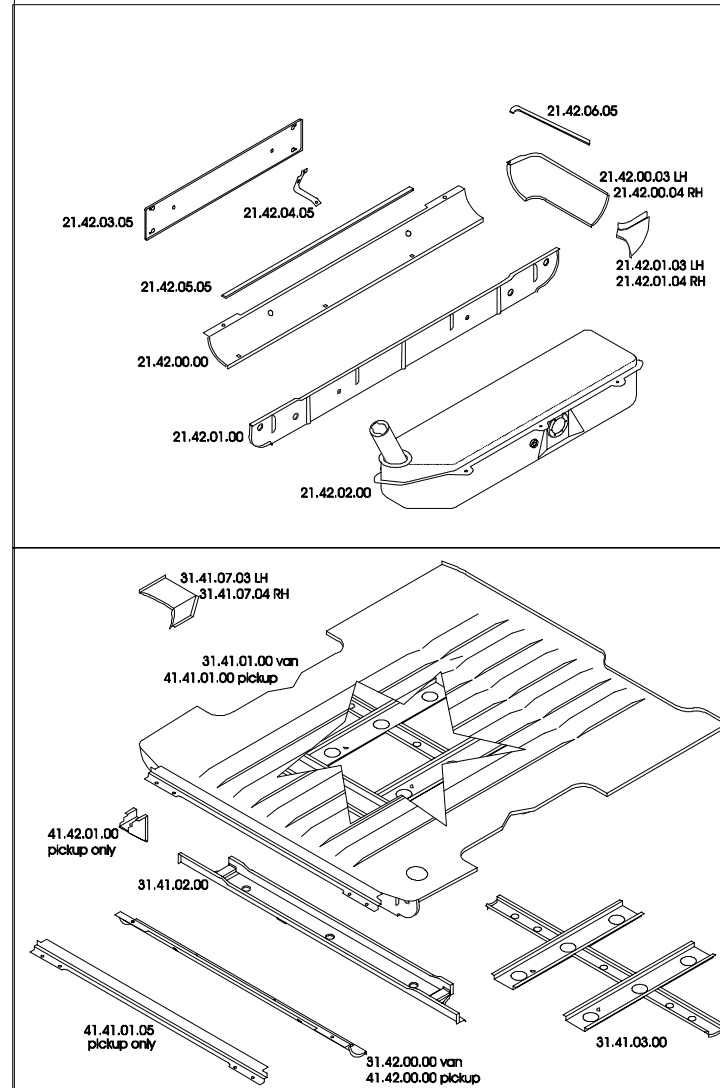
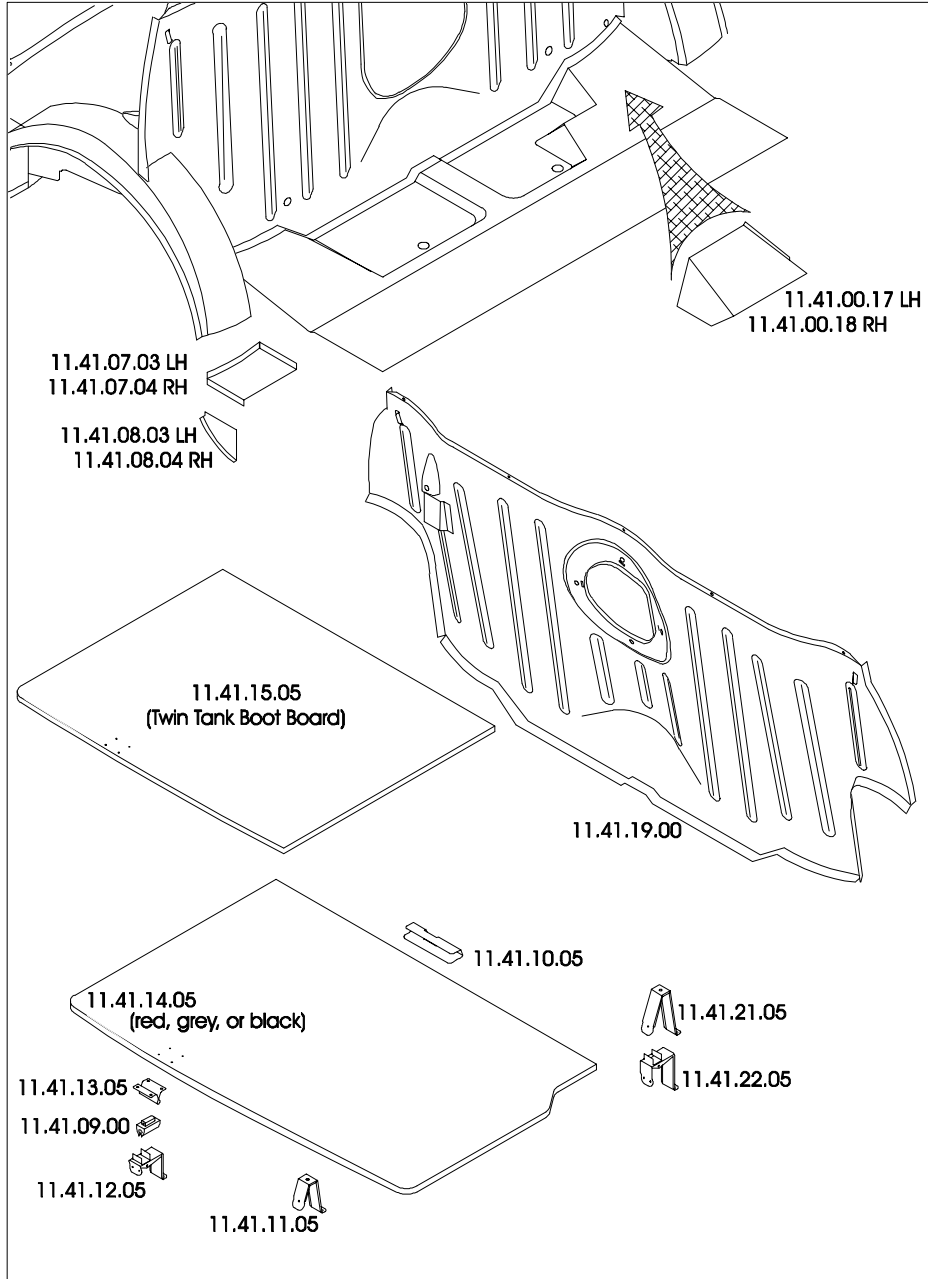
All prices EXCLUDE delivery & VAT

Unit 6, Forge Way, Cleveland Trading Estate
 Darlington, Co. Durham, England, DL1 2PJ
 Tel. & Fax: (01325) 381300
 sales@m-machine.co.uk



410

420



Unit 6, Forge Way, Cleveland Trading Estate
Daifington, Co. Durham, England, DL1 2PJ
Tel. & Fax (01325) 381300
sales@m-machine.co.uk



m-machine 01325 381300

| PART NO. | PRICE | DESCRIPTION | PART NO. | PRICE | DESCRIPTION |
|-------------|--------|---|-------------|--------|--|
| 11.41.00.17 | 7.00 | Rear Seat Corner Repair, left hand, Mk1-5 | 21.42.00.00 | 15.75 | Valence, rear, Mk1-4, traveller & van |
| 11.41.00.18 | 7.00 | Rear Seat Corner Repair, right hand, Mk1-5 | 21.42.00.03 | 7.00 | Corner, rear valence, left hand, traveller, van & pickup |
| 11.41.07.03 | 3.60 | Closing Panel, subframe, left hand, Mk1-5 | 21.42.00.04 | 7.00 | Corner, rear valence, right hand, traveller, van & pickup |
| 11.41.07.04 | 3.60 | Closing Panel, subframe, right hand, Mk1-5 | 21.42.01.00 | 22.00 | Closing Panel, rear valence, Mk1-4 traveller, van & pickup |
| 11.41.08.03 | 2.00 | Closing Panel Segment, left hand, Mk1-5 | 21.42.01.03 | 3.00 | Filler, rear valence corner, left hand, Mk1-4 traveller, van & pickup |
| 11.41.08.04 | 2.00 | Closing Panel Segment, right hand, Mk1-5 | 21.42.01.04 | 3.00 | Filler, rear valence corner, right hand, Mk1-4 traveller, van & pickup |
| 11.41.09.00 | 3.00 | Buffer & Pin Kit, For Boot board brackets, Mk1-5 | 21.42.02.00 | 70.00 | Tank, fuel, traveller, van & pickup |
| 11.41.10.05 | 3.25 | Bracket, boot board, front, Mk1-5 | 21.42.03.05 | 7.50 | Number Plate Hanger, rear, Mk1-4 traveller, van |
| 11.41.11.05 | 3.75 | Bracket, boot board, rear stand, Mk1-5 | 21.42.04.05 | 3.00 | Bracket, rear number plate hanger, Mk1-4 traveller, van |
| 11.41.12.05 | 5.25 | Bracket, boot board, centre, locking, Mk1-5 | 21.42.05.05 | 4.50 | Seam Cover, middle, Mk1-4 traveller, van & pickup |
| 11.41.13.05 | 4.25 | Clip, boot board, Mk1-5 | 21.42.06.05 | 4.85 | Seam Cover, corner, Mk1-4 traveller, van |
| 11.41.14.05 | 35.00 | Boot Board, single tank, (state colour) Mk1-3 | 31.41.01.00 | 375.00 | Load Floor Assembly, Mk1-4 van |
| 14.41.14.05 | 35.00 | Boot Board, single tank, (state colour) Mk4-5 | 31.41.02.00 | 50.00 | Crossmember, subframe mounting, Mk1-4 van & pickup |
| 11.41.15.05 | 35.00 | Boot Board, twin tank, (state colour), Mk1-3 | 31.41.03.00 | 44.00 | Crossmember Assembly, load floor, Mk1-4 van & pickup |
| 14.41.15.05 | 35.00 | Boot Board, twin tank, (State Colour), Mk4-5 | 31.41.07.03 | 7.00 | Closing Panel, subframe, left hand, Mk1-4 van & pickup |
| 11.41.19.00 | 120.00 | Bulkhead, rear, Mk1-2 | 31.41.07.04 | 7.00 | Closing Panel, subframe, right hand, Mk1-4 van & pickup |
| 13.41.19.00 | PO.A. | Bulkhead, rear, Mk3-4 | 41.41.01.00 | 400.00 | Load Floor Assembly, Mk1-4 pickup |
| 15.41.19.00 | PO.A. | Bulkhead, rear, Mk5 | 41.41.01.05 | 15.00 | Rear Step, Mk1-4 pickup |
| 11.41.21.05 | 4.20 | Bracket, boot board, rear stand, clears wide wheels, Mk1-5 | 41.42.00.00 | 15.00 | Valence, rear centre, Mk1-4 pickup |
| 11.41.22.05 | 5.75 | Bracket, boot board, centre, locking, clears wide wheels, Mk1-5 | 41.42.01.00 | 12.75 | Bracket, hinge mounting, Mk1-4 pickup |

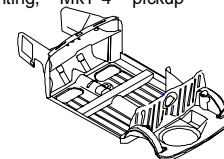
All prices EXCLUDE delivery & VAT

★ = refurbished unit

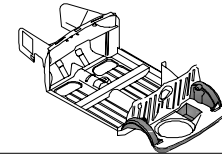


M-MACHINE

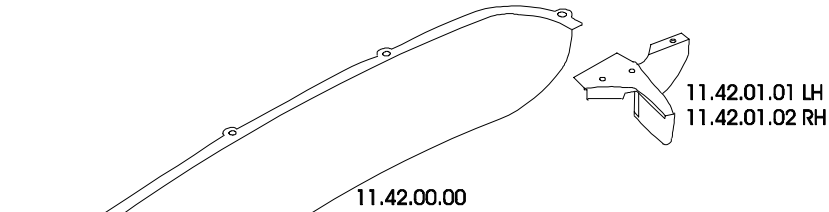
Unit 6, Forge Way, Cleveland Trading Estate
 Darlington, Co. Durham, England, DL1 2PJ
 Tel. & Fax: (01325) 381300
 sales@m-machine.co.uk



420



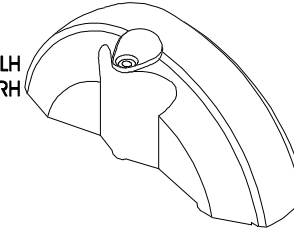
430



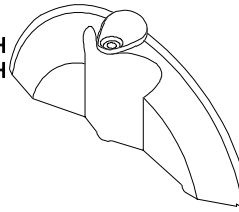
11.42.00.00

11.42.01.01 LH
11.42.01.02 RH

11.42.03.01 LH
11.42.03.02 RH



11.42.03.17 LH
11.42.03.18 RH

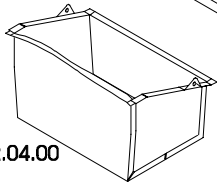


11.42.03.27 LH
11.42.03.28 RH



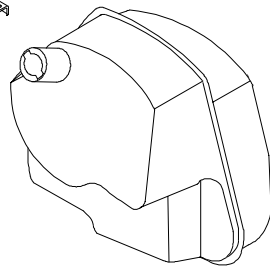
11.42.04.19

11.42.05.05



11.42.04.00

11.42.04.29



11.42.11.01 to 1964
11.42.02.01
11.91.03.01 alloy

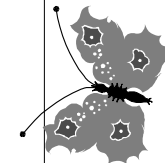
11.91.13.02 alloy



11.42.03.39

Unit 6, Forge Way, Cleveland Trading Estate
Darlington, Co. Durham, England, DL1 2PJ
Tel. & Fax (01325) 381300
sales@m-machine.co.uk

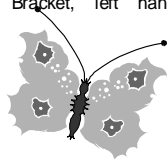
M-MACHINE



| PART NO. | PRICE | DESCRIPTION | PART NO. | PRICE | DESCRIPTION |
|---------------|--------|---|----------|-------|-------------|
| 11.42.00.00 | 25.00 | Valence, rear, Mk1-3 | | | |
| 14.42.00.00 | 25.00 | Valence, rear, Mk4-on | | | |
| 14.42.00.05 | 9.00 | Valence, rear, repro | | | |
| 61.42.00.00 | 135.00 | Valence, rear, Elf/Hornet | | | |
| 11.42.01.01 | 15.00 | Filler, valence corner, left hand, Mk1-5 | | | |
| 11.42.01.02 | 15.00 | Filler, valence corner, right hand, Mk1-5 | | | |
| 11.42.03.01 | 34.00 | Wheel Arch assy, rear, left hand, Mk1-5 | | | |
| 11.42.03.02 | 34.00 | Wheel Archassy, rear, right hand, Mk1-5 | | | |
| 11.42.03.17 | 18.50 | Wheel Arch, inner, left hand, Mk1-5 | | | |
| 11.42.03.18 | 18.50 | Wheel Arch, inner, right hand, Mk1-5 | | | |
| 11.42.03.27 | 16.00 | Wheel Arch, outer, left hand, Mk1-5 | | | |
| 11.42.03.28 | 16.00 | Wheel Arch, outer, right hand, Mk1-5 | | | |
| 11.42.03.39 | 10.00 | Tower Repair, rear wheel arch, inner, Mk1-5 | | | |
| 11.42.04.00 | 24.00 | Battery Box Assembly, complete with eyelets & supports, Mk1-3 | | | |
| 14.42.04.00 | 13.50 | Battery Box, Mk4-5 | | | |
| 11.42.04.19 | .75 | Eyelet, battery box, Mk1-5 | | | |
| 11.42.04.29 | .63 | Corner Support, battery box, Mk1-5 | | | |
| 11.42.05.05 | 6.50 | Retainer, battery, Mk1-2 | | | |
| ★ 11.42.11.01 | 80.00 | Tank, left hand, Mk1 to 1964 | | | |
| ★ 11.42.02.01 | 50.00 | Tank, left hand, Mk1 1964 on | | | |
| ★ 15.42.02.01 | 30.00 | Tank, left hand, Mk5 | | | |
| 11.91.03.01 | 350.00 | Tank, left hand, alloy, Mk1-3 | | | |
| 11.91.03.02 | 300.00 | Tank, right hand, alloy, Mk1-3 | | | |
| 11.42.02.02 | 200.00 | Tank, right hand, steel, Mk1-3 | | | |
| 11.91.05.00 | 10.50 | Pipe, connecting, dual tank, Mk1-5 | | | |
| 11.91.06.01 | 4.00 | Strap, right tank, Long, Mk1-5 | | | |
| 11.91.06.02 | 4.00 | Strap, right tank, Short, Mk1-5 | | | |
| 14.41.23.01 | 4.75 | Bracket, left hand diagonal tank strap. | | | |

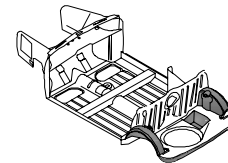
All prices EXCLUDE delivery & VAT

★ = refurbished unit

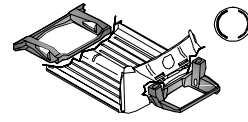


M-MACHINE

Unit 6, Forge Way, Cleveland Trading Estate
 Darlington, Co. Durham, England, DL1 2PJ
 Tel. & Fax: (01325) 381300
 sales@m-machine.co.uk

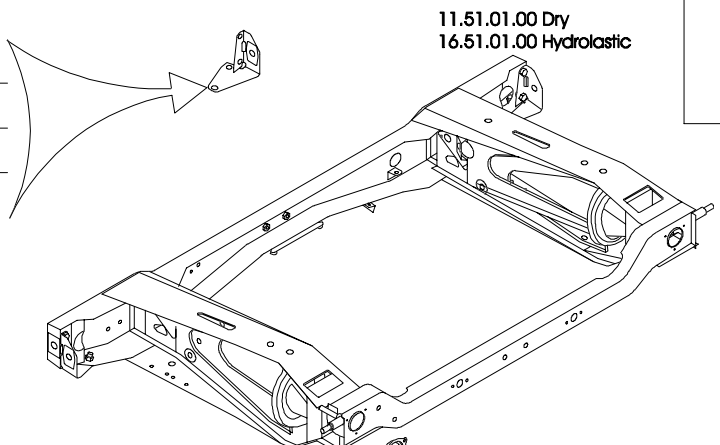


430



510

- 0.5 mm 11.51.05.03 LH
- 11.51.05.04 RH
- 1mm 11.51.06.03 LH
- 11.51.06.04 RH
- 1.5 mm 11.51.07.03 LH
- 11.51.07.04 RH
- 2 mm 11.51.08.03 LH
- 11.51.08.04 RH



11.51.01.00 Dry
16.51.01.00 Hydrolastic

Early (2 Bolt)

Hydrolastic

76 on (Single Bolt)

16.51.09.05 LH & RH

11.52.23.05

11.52.24.05

11.51.00.00 Dry
16.51.00.00 Hydrolastic

16.51.11.05

16.51.10.03 LH
16.51.10.04 RH

51.50.05.03 LH
51.50.05.04 RH

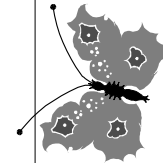
51.52.02.05

51.52.03.05

51.50.01.01 LH
51.50.00.02 RH

Unit 6, Forge Way, Cleveland Trading Estate
Darlington, Co. Durham, England, DL1 2PJ
Tel. & Fax (01325) 381300
sales@m-machine.co.uk

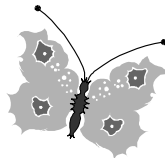
M-MACHINE



m-machine 01325 381300

| PART NO. | PRICE | DESCRIPTION | PART NO. | PRICE | DESCRIPTION |
|---------------|--------|--|-------------|-------|---|
| ★ 11.51.00.00 | 140.00 | Subframe, front, 2 bolt, Mk1&3 | 51.50.00.01 | 16.50 | Disk Shield Assembly, left hand, Mk1-3 |
| ★ 14.51.00.00 | 140.00 | Subframe, front, single bolt, Mk4 | 51.50.00.02 | 16.50 | Disk Shield Assembly, right hand, Mk1-3 |
| 12.51.00.00 | PO.A | Subframe, front, single bolt, Mk5 | | | |
| ★ 16.51.00.00 | 150.00 | Subframe, front, hydrolastic, Mk1-3 | 51.50.05.03 | 1.50 | Disk Shield Mounting Bracket, left hand, Mk1-3 |
| | | | 51.50.05.04 | 1.50 | Disk Shield Mounting Bracket, right hand, Mk1-3 |
| 11.51.01.00 | 90.00 | Subframe, rear, dry to 91 | | | |
| 15.51.01.00 | 95.00 | Subframe, rear, dry 91 on | 51.52.02.05 | 8.95 | Servo Mounting Bracket, rear, Mk1-2 Cooper |
| 16.51.01.00 | 112.00 | Subframe, rear, hydrolastic, Mk1-3 | 53.52.02.05 | 8.95 | Servo Mounting Bracket, rear, Mk3 Cooper |
| | | | | | |
| | | | 51.52.03.05 | 8.95 | Servo Mounting Bracket, front, Mk1-2 Cooper |
| | | | 53.52.03.05 | 8.95 | Servo Mounting Bracket, front, Mk3 Cooper |
| | | | | | |
| 11.52.23.05 | 7.00 | Pin, lower arm mounting, Mk1-5 | | | |
| ★ 11.52.24.05 | 2.00 | Retainer, Top arm pin, Mk1-5 | | | |
| | | | | | |
| 16.51.09.05 | 10.00 | Retainer, hydrolastic sleeve, Mk1-3 | | | |
| | | | | | |
| 16.51.10.03 | 25.00 | Pipe, hydrolastic pre-shaped, left hand, Mk1-3 | | | |
| 16.51.10.04 | 25.00 | Pipe, hydrolastic, pre-shaped, right hand, Mk1-3 | | | |
| | | | | | |
| ★ 16.51.11.05 | 1.50 | Sleeve, hydrolastic pipe mounting, Mk1-3 | | | |

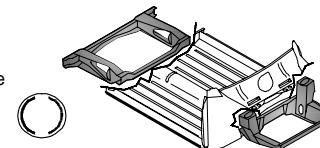
★ = refurbished unit



M-MACHINE

All prices EXCLUDE delivery & VAT

Unit 6, Forge Way, Cleveland Trading Estate
 Darlington, Co. Durham, England, DL1 2PJ
 Tel. & Fax: (01325) 381300
 sales@m-machine.co.uk



510

| PART NO. | PRICE | DESCRIPTION | PART NO. | PRICE | DESCRIPTION |
|------------------|--------|---|---|--------|---|
| RESTORATION AIDS | | | COMPETITION ACCESSORIES | | |
| 10.00.00.00 | 200.00 | Bodyshell Stand, allows 360° rotation | 09.52.00.00 | 50.00 | Adjustable Ride Kit, front |
| 10.00.01.00 | 60.00 | Bulkhead Kit, for bodyshell stand, salloon (state year) | 09.54.00.00 | 60.00 | Adjustable Ride Kit, rear |
| 20.00.00.00 | 200.00 | Bodyshell Stand, traveller, van | 11.53.00.00 | 32.00 | Adjustable Tie Bars. |
| 40.00.00.00 | 200.00 | Bodyshell Stand, pickup | 11.51.0?.0? | 20.00 | Negative Camber Brakets, per pair |
| BOOT PARTS | | | 11.91.09.00 | 13.00 | Bracket, spot lamp mounting, quick release, pivoting |
| 11.11.11.05 | 9.00 | Boot Lid Liner including fixings | 11.92.00.09 | 12.00 | Rocker Cover, crackle finish |
| 11.11.09.05 | 2.50 | Support Strap, boot lid | 11.92.06.00 | 19.50 | Battery Cut Off Switch Mounting Box, crackle finish |
| 11.11.10.05 | 10.50 | Boot Seal, Mk1-4 | 11.92.05.0? | 45.00 | Dash Panel, RH & LH drive |
| 91.11.08.05 | .45 | Clip, boot seal retaining | 11.92.01.00 | 48.00 | Dash Panel, full width |
| 91.11.09.05 | 1.25 | Gaiter, boot handle, Mk1 | 13.92.03.03 | 55.00 | Dash Panel, full width, with air vent holes |
| 11.80.00.00 | 13.50 | Handle, boot, early | 11.92.11.0? | 10.00 | Switch Panel, door pocket fitting, left or right |
| 13.80.00.00 | 15.00 | Handle, boot, chrome, Mk3 | 11.92.00.00 | 13.50 | Speedo Blanking Plate, alloy |
| 11.42.06.05 | 12.00 | Battery Cover | 11.92.0?.05 | PO.A. | Holder, fuse block, 2,3 or 4 block versions available From 12.50 |
| 11.42.07.00 | 9.00 | Battery Retaining Strap | 11.93.00.05 | 200.00 | Heated Front Screen |
| | | | 11.55.05.05 | 2.95 | Bracket, steering column lowering |
| | | | 19.91.00.00 | 18.00 | 'Fly Off' Hand Brake Assembly (state year) |
| | | | 11.91.04.01 | 375.00 | Petrol Tank, alloy, foam filled, left hand |
| | | | 11.91.04.02 | 325.00 | Petrol Tank, alloy, foam filled, right hand |
| | | | 11.92.10.0? | 6.50 | Skid Bracket, handbrake cable, handed |
| | | | 11.91.02.05 | 10.00 | Quick Lift Jacking Bracket |
| | | | 19.80.01.00 | 3.50 | Washer Jet, chrome, twin jet, per side |
| | | | 19.18.10.05 | 6.00 | Towing Eye |
| | | | 11.91.11.00 | 12.00 | Bonnet Strap |
| | | | 11.91.10.00 | 9.95 | Boot Strap |
| | | | ENGINE & GEARBOX | | |
| | | | WE STOCK THE FULL RANGE OF ENGINE & GEARBOX PARTS SHOULD YOU REQUIRE - BE SURE TO ENQUIRE! | | |

All prices EXCLUDE delivery & VAT

★ = refurbished unit



M-MACHINE

Unit 6, Forge Way, Cleveland Trading Estate
Darlington, Co. Durham, England, DL1 2PJ
Tel. & Fax: (01325) 381300
sales@m-machine.co.uk

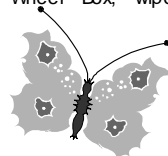
**BODY SHELLS
BOOT PARTS
COMPETITION**

- 1

| PART NO. | PRICE | DESCRIPTION | PART NO. | PRICE | DESCRIPTION |
|-------------------|-------|---------------------------|-------------|-------|---|
| COOLING & HEATING | | | FUEL | | |
| 11.70.12.05 | 1.95 | Bypass Hose | 11.60.20.15 | 4.50 | Air Filter, for Minis to 1974 |
| 11.70.03.05 | 3.50 | Top Hose | 12.60.20.15 | 4.50 | Air Filter, for Mini 1000s |
| 51.70.03.05 | 6.80 | Top Hose, 'S & GT | 53.60.20.15 | 4.50 | Air Filter, Mk3 'S |
| 11.70.02.05 | 6.80 | Bottom Hose | 11.60.15.00 | 2.95 | Fuel Filter, in line |
| 19.70.02.05 | 8.00 | Bottom Hose, 1300 | 11.60.20.20 | 12.50 | Choke Cable, Mk1 |
| 99.70.09.00 | .65 | Hose Clips | 12.60.20.20 | 4.00 | Choke Cable |
| 11.72.09.05 | 5.00 | Heater Hose, per Metre | 11.60.20.30 | 5.95 | Throttle Cable |
| 11.72.08.00 | 12.50 | Heater Control Cable, Mk1 | 11.60.20.45 | 1.70 | Throttle Spring |
| 12.72.08.00 | 15.00 | Heater Control Cable | 11.60.21.00 | 6.00 | Carb Float Chamber Link Pipe |
| 11.72.05.00 | 18.00 | Heater Valve | 51.61.05.00 | 13.00 | Carb Heat Shields, per pair |
| 11.70.15.05 | 4.00 | Fan Belt | 11.60.22.00 | 12.50 | Carb Jets |
| 11.70.00.00 | 15.75 | Water Pump | 12.60.22.00 | 21.50 | Carb Jets, 1976 on |
| 11.70.01.05 | .60 | Gasket, water pump | 11.60.21.10 | 8.50 | Needle & Seat Kit, float chamber |
| 11.70.07.00 | 2.60 | Radiator Cap | 11.60.02.00 | 21.00 | Fuel Pump, mechanical |
| 11.70.08.00 | 38.00 | Radiator, 3 core | 11.60.04.05 | 3.25 | Spacer & Gasket, mechanical fuel pump |
| 12.70.08.00 | 60.00 | Radiator, Special 2 core | 11.60.00.00 | 45.00 | Fuel Pump, electrical |
| 11.70.05.05 | 5.00 | Thermostat Housing | 11.60.03.05 | 3.75 | Mounting Bracket, electrical fuel pump |
| 11.70.10.00 | 3.00 | Thermostat | 99.60.03.00 | 4.25 | Mounting Clip, electrical fuel pump |
| 11.70.06.05 | 6.25 | Thermostat Blanking Sieve | 11.60.12.00 | 5.00 | Petrol Cap, chrome |
| 11.70.11.05 | .24 | Thermostat Gasket | 11.60.12.10 | 6.50 | Petrol Cap, locking |
| 99.70.10.05 | .80 | Thermostat Stud | 11.60.11.05 | 2.50 | Petrol Pipe, rigid, per metre |
| WINDSCREEN WIPERS | | | 11.60.10.05 | 8.00 | Petrol Pipe, flexible, per metre |
| 11.71.51.00 | 7.00 | Wiper Arm, stainless, Mk1 | 11.60.09.00 | 3.50 | Petrol Pipe, braided, 5/16" bore, 2.5" long |
| 11.71.50.00 | 3.00 | Wiper Blade, 10" | 11.60.05.00 | 2.50 | Petrol Pipe, steel braided, 1/4" bore, 2.5" long |
| 11.71.50.10 | 3.00 | Wiper Blade, 11" | 11.60.06.00 | 4.00 | Petrol Pipe, steel braided, 1/4" bore, 6.75" long |
| 11.71.50.20 | 5.00 | Wiper Blade, stainless | 11.60.07.00 | 5.00 | Petrol Pipe, steel braided, 1/4" bore, 9.75" long |
| 99.71.50.05 | 1.00 | Nut, wiper spindle | 11.60.08.00 | 6.00 | Petrol Pipe, steel braided, 1/4" bore, 14" long |
| 01.71.52.10 | 7.50 | Bush kit, wiper spindle | 99.60.01.00 | .60 | Clip, petrol pipe |
| 12.71.52.20 | 18.00 | Wheel Box, wiper | 21.60.19.00 | 7.00 | Petrol Pipe, van tank |
| 11.71.52.20 | 19.00 | Wheel Box, wiper, Mk1-2 | 21.75.01.00 | 22.00 | Sender Unit, van tank |
| | | | 21.75.00.00 | .35 | Gasket, sender unit, van tank |

All prices EXCLUDE delivery & VAT

★ = refurbished unit



M-MACHINE

Unit 6, Forge Way, Cleveland Trading Estate
 Darlington, Co. Durham, England, DL1 2PJ
 Tel. & Fax: (01325) 381300
 sales@m-machine.co.uk

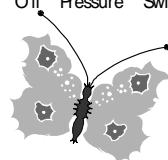
COOLING
 HEATING
 WIPERS
 FUEL

-2

| PART NO. | PRICE | DESCRIPTION | PART NO. | PRICE | DESCRIPTION |
|-----------------|-------|--|---------------|-------|---|
| EXHAUST | | | BRAKES | | |
| 11.69.01.00 | 55.00 | Maniflow Standard Bore LCB | 51.50.11.05 | 10.00 | Piston, caliper, 998 for Coopers |
| 59.69.01.00 | 42.00 | Exhaust System, RC40 | 52.50.11.05 | 8.50 | Piston, caliper, 10" 'S |
| 51.69.01.00 | 38.00 | Exhaust System, single box, for Cooper | 54.50.11.05 | 10.00 | Piston, caliper, 12" |
| 53.69.01.00 | 48.00 | Exhaust System, 1275GT | 54.50.15.00 | 8.00 | Caliper Repair Kit, 12" |
| 11.69.02.00 | 28.50 | Exhaust System, twin box, saloon | 52.50.15.00 | 6.00 | Caliper Repair Kit, for Cooper 'S |
| 21.69.02.00 | 37.50 | Exhaust System, twin box, traveller | 51.50.15.00 | 5.00 | Caliper Repair Kit, for Coopers |
| 11.69.10.05 | .75 | Exhaust Bobbin | 52.50.10.00 | 1.95 | Inner Seal, caliper, 'S |
| 11.69.16.00 | 3.00 | Mount, exhaust to gearbox | 54.50.10.00 | .70 | Inner Seal, caliper, 12" |
| 51.69.13.05 | 1.65 | Bracket, exhaust, rear, for Cooper & 1275GTs | 52.50.01.05 | 22.00 | Brake Disc, 10" wheels, 'S or 1275GT |
| 11.69.11.05 | 1.00 | Bracket, exhaust, hook | 54.50.01.05 | 16.00 | Brake Disc, 12" wheels, ' for 1275GT or later Minis |
| 11.69.12.00 | .80 | Exhaust Clamp, front downpipe | 51.50.01.05 | PO.A | Brake Disc, for Coopers |
| 11.69.13.00 | 1.65 | Clamp Rear Hanger, silencer | 51.50.06.00 | 16.50 | Disc Pad Set, for Coopers |
| 11.69.15.00 | 2.75 | Centre Mounting, exhaust | 52.50.06.00 | 13.50 | Disc Pad Set, 10" wheels, 'S & 1275GT |
| 11.69.14.05 | 2.50 | Silencer Strap | 54.50.06.00 | 11.00 | Disc Pad Set, 12" wheels |
| 99.61.00.00 | .75 | 'U' Bolt, 45mm or 48mm | 54.50.12.00 | 3.95 | Disc Pad Retaining Kit, 12" wheels |
| 11.69.20.00 | 3.00 | Manifold Clamp | 11.50.01.05 | 13.50 | Brake Drum |
| 11.80.02.00 | 3.50 | Chrome Tail Pipe Trim | 52.50.07.05 | 15.00 | Brake Drum, rear, 'S or 1275GT |
| SWITCHES | | | 11.50.23.00 | 17.00 | Brake Adjuster Kit, front |
| 11.71.30.00 | 46.00 | Indicator Switch, Mk1 | 11.50.24.00 | 3.65 | Brake Adjuster, rear |
| 11.71.31.05 | 1.50 | Lens, green, indicator switch end, Mk1 | 11.50.22.03 | 32.00 | Brake Back Plate, LH rear |
| 12.71.30.02 | 23.00 | Indicator Switch, right hand mounted | 11.50.22.04 | 32.00 | Brake Back Plate, RH rear |
| 12.71.30.01 | 29.00 | Indicator Switch, left hand mounted | 11.50.21.03 | 40.00 | Brake Back Plate, LH front |
| 12.71.32.01 | 19.00 | Wiper Switch, left hand mounted | 11.50.21.04 | 40.00 | Brake Back Plate, RH front |
| 12.71.32.02 | 21.00 | Wiper Switch, right hand mounted | 11.50.06.00 | 10.25 | Brake Shoes, front |
| 13.71.37.00 | 11.00 | Wiper Park Switch, twin speed | 11.50.07.00 | 9.25 | Brake Shoes, rear |
| 11.71.20.00 | 10.00 | Headlamp Switch | 11.50.10.00 | 6.50 | Wheel Cylinder, front |
| 11.71.33.00 | 8.00 | Reversing Lamp Switch | 11.50.11.00 | 7.50 | Wheel Cylinder, rear |
| 11.71.38.00 | 3.00 | Brake Light Switch, floor type | 52.50.12.00 | 8.50 | Wheel Cylinder, rear, 'S & 1275GT |
| 11.71.39.00 | 5.20 | Oil Pressure Switch | 51.50.09.00 | 6.00 | Brake Hose, front, disc |
| | | | 11.50.09.00 | 5.50 | Brake Hose, front, drum |
| | | | 11.50.08.00 | 5.00 | Brake Hose, rear |
| | | | 11.50.4??.00 | » | Cables, hand brake, from £4.50 |
| | | | 11.50.28.00 | 10.50 | Hand Brake Lever, per Pair |
| | | | 11.50.29.05 | 1.75 | Boot, hand brake lever |
| | | | 11.50.30.00 | 35.00 | Brake Pipe Set, made to order |
| | | | 51.50.25.00 | 25.00 | Repair Kit, servo unit, Mk1-2 |
| | | | 53.50.25.00 | 35.00 | Repair Kit, servo unit, Mk3 & GT |

All prices EXCLUDE delivery & VAT

★ = refurbished unit



M-MACHINE

Unit 6, Forge Way, Cleveland Trading Estate
 Darlington, Co. Durham, England, DL1 2PJ
 Tel. & Fax: (01325) 381300
 sales@m-machine.co.uk

EXHAUST
 SWITCHES
 BRAKES

-3

| PART NO. | PRICE | DESCRIPTION | PART NO. | PRICE | DESCRIPTION |
|----------------------------------|-------|--------------------------------------|--|-------|---------------------------------------|
| SUSPENSION & STEERING | | | SUSPENSION & STEERING (continued) | | |
| 01.52.03.00 | 6.75 | Ball Joint Kit | 11.52.30.00 | 14.75 | Shock Absorber, front |
| 11.52.22.05 | 1.30 | Bush, Bottom Arm | 11.54.30.00 | 14.75 | Shock Absorber, rear |
| 11.52.02.05 | 3.50 | Rebound Buffer, Front | 11.55.02.05 | 3.00 | Steering Column Bush, top |
| 11.52.10.00 | 6.00 | Front Stop, dry, early (2 fixing) | 11.55.03.05 | 3.00 | Steering Column Felt Bush, bottom |
| 12.52.10.00 | 6.00 | Front Stop, dry (1 fixing) | 13.55.00.00 | 32.50 | Steering Rack, Mk3, exchange |
| 11.54.02.05 | 7.00 | Rebound Buffer, rear, Hydro | | 13.00 | Exchange Surcharge |
| 19.52.10.00 | 18.95 | Bump Stop Kit, competition, front | 01.55.01.00 | 7.00 | Boot Kit, steering rack |
| 19.54.10.00 | 19.95 | Bump Stop Kit, competition, rear | | | |
| 01.68.01.00 | 4.75 | Boot Kit, CV joint | 11.53.01.00 | 10.00 | Tie Bar Assembly |
| 91.68.10.05 | .44 | Circlip, CV joint | 11.53.02.05 | .50 | Bush, tie bar |
| 11.68.00.09 | 25.00 | CV Joint, exchange | 11.55.06.00 | 5.75 | Track Rod End |
| 19.68.00.00 | 28.50 | CV Joint, 1300 | 01.52.04.00 | 18.00 | Wheel Bearing Kit, front |
| 99.68.12.05 | 1.25 | CV Joint Washer, 1300 | 02.52.04.00 | 22.50 | Wheel Bearing Kit, front, 'S & 1275GT |
| | | | 01.54.04.00 | 15.00 | Wheel Bearing Kit, rear |
| 11.68.10.00 | 13.00 | Drive Coupling, early | 02.54.04.00 | 15.00 | Wheel Bearing Kit, rear, 'S & 1275GT |
| 51.68.09.00 | 21.00 | Drive Flange, 10" wheel 'S or 1275GT | | | |
| 54.68.09.00 | 21.00 | Drive Flange, 12" wheel 1275GT | 99.68.10.05 | 1.00 | Wheel Stud |
| | | | 99.68.11.05 | 1.00 | Wheel Stud, rear, long |
| 91.52.10.00 | 2.25 | Hub Nut, 'S & 1300 | 19.52.40.05 | 12.50 | Wheel Spacer 3/8" |
| 16.52.30.05 | 4.95 | Boot/Dust Cover, hydroelastic unit | 19.52.41.05 | 17.25 | Wheel Spacer 1" |
| 01.52.16.00 | 3.00 | Knuckle Joint | | | |
| 11.52.16.05 | .90 | Nylon Cup, knuckle joint | | | |
| | | | | | |
| 11.52.06.00 | 1.50 | Oil Seal, front hub, outer | | | |
| 11.52.05.00 | 1.50 | Oil Seal, front hub, inner | | | |
| 11.54.07.00 | 1.50 | Oil Seal, rear hub | | | |
| | | | | | |
| 01.68.00.00 | 5.75 | Pot Joint Gaiter Kit | | | |
| 01.54.14.00 | 10.00 | Bushing Kit, radius arm | | | |
| 11.54.14.09 | 35.00 | Radius Arm, re-bushed, EXCHANGE | | | |

INSTRUMENTS

| | | |
|-------------|------|-----------------------------|
| 11.75.52.00 | 3.50 | Pipe, oil pressure |
| 11.75.51.05 | 3.00 | T piece, oil pressure gauge |
| | | |
| 11.75.01.00 | 7.50 | Speedo Cable |
| 73.75.01.00 | 7.50 | Speedo Cable, Clubman |

All prices EXCLUDE delivery & VAT

★ = refurbished unit



M-MACHINE

Unit 6, Forge Way, Cleveland Trading Estate
 Darlington, Co. Durham, England, DL1 2PJ
 Tel. & Fax: (01325) 381300
 sales@m-machine.co.uk

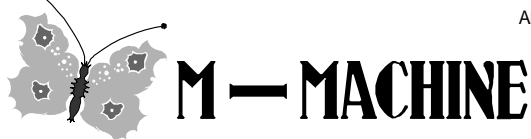
**SUSPENSION
 STEERING
 INSTRUMENTS**

-4

| PART NO. | PRICE | DESCRIPTION | PART NO. | PRICE | DESCRIPTION |
|------------------|-------|---|-----------------------------|-------|------------------------------------|
| ELECTRICS | | | IGNITION (continued) | | |
| 13.71.41.09 | 45.00 | Alternator, exchange, to 1980 | 11.71.61.00 | 9.50 | Distributor Cap, early |
| 14.71.41.09 | 55.00 | Alternator, exchange, 1980-85 | 12.71.61.00 | 6.50 | Distributor Cap, 1970-75 |
| 15.71.41.09 | 70.00 | Alternator, exchange, 1985 on | 13.71.61.00 | 5.00 | Distributor Cap, 1974 on |
| _____ | 22.00 | Battery | 19.71.61.00 | 5.00 | Distributor Cap, Ducellier |
| 11.71.12.05 | 3.50 | Battery Cable, per metre | 11.71.62.00 | 1.75 | Points, early |
| 11.71.18.00 | 2.00 | Clamp, battery terminal | 12.71.62.00 | 2.50 | Points, 74-80 |
| 11.71.17.00 | 3.50 | Earth Strap, battery | 52.71.62.00 | 11.00 | Points, 'S' |
| 11.71.14.05 | 5.00 | Earth Strap, engine | 19.71.62.00 | 3.75 | Points, Ducellier |
| _____ | .90 | 'P' Clip, metal, for battery cable | 15.71.62.00 | 3.75 | Points, 1980 on |
| 11.71.42.00 | 21.00 | Control Box, dynamo | 11.71.63.00 | 2.80 | Condenser |
| 11.71.41.09 | 35.50 | Dynamo, EXCHANGE | 19.71.63.00 | 2.80 | Condenser, Ducellier |
| 11.71.11.00 | 6.00 | Fuse Box, early | 15.71.63.00 | 3.75 | Condenser, 1974 on |
| 15.71.11.00 | 14.50 | Fuse Box, late | 11.71.64.00 | 1.60 | Rotor Arm |
| 11.71.10.00 | PO.A. | Wiring Harness, full, state year & model, from £110 | EXTERIOR LAMPS | | |
| 11.71.43.00 | 16.00 | Solenoid, Mk1-2 | 11.71.70.00 | 6.50 | Indicator, front |
| 13.71.43.00 | 10.35 | Solenoid, Mk3 on, (not starter mounted) | 15.71.70.00 | 7.50 | Indicator, front, modern |
| 11.71.40.09 | 25.00 | Starter Moter, exchange | 11.71.80.05 | 5.00 | Lens, front indicator, clear glass |
| 15.71.40.09 | 75.00 | Starter Moter, exchange, 1985 on | 12.71.71.00 | 8.50 | Headlamp, sealed beam |
| 11.71.15.00 | 5.00 | Flasher Unit, early | 01.71.81.00 | 2.50 | Adjuster Kit, headlamp |
| 12.71.15.00 | 5.75 | Flasher Unit, Mk2-3 | 11.81.71.05 | 9.25 | Bezel, headlamp, chrome |
| 11.71.16.00 | 4.10 | Flasher Unit, hazard | 09.71.70.00 | 29.50 | Halogen Conversion Kit, headlamps |
| IGNITION | | | 11.71.71.10 | 3.50 | Gasket, headlamp |
| 11.71.66.00 | 10.00 | Coil | 11.91.71.00 | 12.00 | Stoneguard, headlamp |
| 15.71.66.00 | 14.00 | Coil, ballasted, 1985 on | 11.71.79.00 | 40.00 | Rear Lamp Cluster, Mk1 |
| 19.91.66.00 | 17.50 | Coil, sports | 11.71.87.05 | 5.50 | Lens, red, rear lamp, Mk1 |
| 11.71.65.00 | 10.95 | Ignition Lead Set | 11.71.88.05 | 4.50 | Lens, amber, rear lamp, Mk1 |
| 15.71.67.00 | 20.00 | Ignition Shield, 1985 on | 01.71.89.00 | 3.25 | Screw Kit, rear lens, Mk1 |
| 11.71.69.00 | 1.75 | Spark Plug | 11.71.78.00 | 15.00 | Number Plate Lamp, chrome, Mk1 |
| 11.71.68.00 | 3.50 | Plug Cap, 'works type', rubber with clips | | | |

All prices EXCLUDE delivery & VAT

★ = refurbished unit



Unit 6, Forge Way, Cleveland Trading Estate
 Darlington, Co. Durham, England, DL1 2PJ
 Tel. & Fax: (01325) 381300
 sales@m-machine.co.uk

ELECTRICS
 IGNITION
 LAMPS

-5

| PART NO. | PRICE | DESCRIPTION | PART NO. | PRICE | DESCRIPTION |
|-----------------------------|--------|--|---|-------|--|
| TRIM, BRIGHTWORK & FITTINGS | | | TRIM, BRIGHTWORK & FITTINGS (continued) | | |
| 12.82.02.05 | 9.50 | Bulkhead Sound Deadening, specify year | 11.80.21.05 | 35.00 | Bumper, stainless, OEM |
| 11.80.10.00 | PO.A. | Trim Set, Mk1-2 | 11.80.22.05 | 21.00 | Bumper, stainless |
| 11.80.40.00 | 12.00 | Seat Diaphragm | 11.80.20.05 | 35.00 | Bumper, with holes, Mk1 |
| 11.85.00.00 | 85.00 | Carpet Set, black, red, grey or dark blue, early | 11.80.03.02 | 8.00 | Corner Bar, front or rear, handed, Mk1 |
| 15.83.00.00 | 35.00 | Carpet Set, black, modern | 91.83.01.05 | .80 | Spacer, corner bar, Mk1 |
| 21.85.00.00 | 110.00 | Carpet Set, traveller | 11.80.23.05 | 13.50 | Override, Mk1 |
| 91.33.00.00 | .65 | Carpet Spike, clip & stud | 12.80.23.05 | 12.00 | Override, Mk2 |
| 11.80.33.00 | 15.00 | Dash Liner, black, per pair | 11.80.25.05 | .15 | Buffer Strip, override |
| 11.80.31.05 | 6.50 | Dash Vinyl, top rail & pillars | 15.81.20.00 | 17.50 | Bumper, black or grey |
| 11.80.30.05 | 3.50 | Dash Vinyl, lower | 11.81.34.05 | 10.00 | Bracket, Sun Visor, angled |
| 11.80.32.05 | 13.50 | Dash Bottom, foam backed vinyl | 11.81.35.05 | 10.00 | Bracket, Sun Visor, flat |
| 61.36.07.00 | 10.00 | Ashtray, chrome, for Cooper & Elf/Hornet | 11.88.00.05 | 55.00 | Grille, for Mk1 Austin Minis |
| 11.36.07.05 | 20.00 | Parcel Shelf Finisher, chrome | 51.89.01.00 | 47.50 | Grille, for Mk1 Austin Coopers |
| 11.15.18.05 | 4.80 | Checkstrap, door | 51.89.00.00 | 47.50 | Grille, for Mk1 Morris Coopers |
| 11.80.99.05 | 10.00 | Pocket Rim, door, chrome, Mk1-2 | 11.88.01.00 | 55.00 | Surround, grille, Mk1 |
| 11.81.00.05 | 4.00 | Pocket Liner, door, Mk1-2 | 11.88.02.05 | 7.00 | End Molding, grille, Mk1 |
| 11.81.19.03 | 16.00 | Catch Strip, left hand, door window channel, chrome | 91.83.03.05 | .40 | Clip, grille end molding, Mk1 |
| 11.81.19.04 | 16.00 | Catch Strip, right hand, door window channel, chrome | 52.88.00.00 | 32.00 | Grille, for Cooper & 'S', Mk2 |
| 91.18.01.05 | .40 | Clip, lower door moulding chrome | 13.88.00.00 | 35.00 | Grille, bright, Mk3 |
| 11.80.04.00 | 11.00 | Handle, door interior, Mk1 | 13.89.00.00 | 32.00 | Grille, black, Mk3 |
| 91.15.16.05 | 1.50 | Hinge Pin, door, Mk1 | 13.88.01.00 | 11.00 | Grille, bonnet front, chrome, OEM, Mk3 |
| 91.15.15.05 | 1.65 | Bush, door hinge pin, Mk1 | 13.88.02.02 | 8.00 | Grille Corners, chrome, handed, Mk3 |
| 11.15.15.00 | 4.75 | Window Catch, plastic, Mk1-2 | 11.88.03.05 | 5.50 | Grille Buttons |
| 11.81.18.00 | 21.50 | Mirror, door mount, chrome | 11.81.17.00 | 22.00 | Mirror, seam fitting |
| 91.83.02.05 | .40 | Rivet, door top chrome | 11.86.00.00 | 10.50 | Hub Cap, small |
| 11.87.00.05 | 8.40 | Companion Box Moulding, rear | 19.14.01.02 | 8.00 | Wheel Arch Deluxe Trim, black, per side |
| 21.15.03.05 | 12.00 | Channel, rear side window slide, lower, traveller | 19.14.02.02 | 8.50 | Wheel Arch Deluxe Trim, chrome, per side |
| 21.15.04.05 | 12.00 | Channel, rear side window slide, upper, traveller | 19.14.00.00 | 22.00 | Wheel Arch Trim Kit, both sides, black |
| 21.15.05.05 | 3.50 | Channel, rear side window slide, vertical, traveller | 11.25.07.05 | 3.50 | Accelerator Pedal, metal |

All prices EXCLUDE delivery & VAT

★ = refurbished unit



M-MACHINE

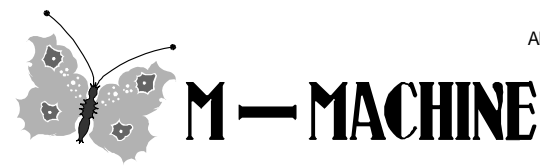
Unit 6, Forge Way, Cleveland Trading Estate
 Darlington, Co. Durham, England, DL1 2PJ
 Tel. & Fax: (01325) 381300
 sales@m-machine.co.uk

TRIM BRIGHTWORK FITTINGS

-6

| PART NO. | PRICE | DESCRIPTION | PART NO. | PRICE | DESCRIPTION |
|---------------------------|-------|---|--|-------|-------------|
| SEALS, SPACERS & GROMMETS | | | | | |
| 99.70.01.05 | .65 | Grommet, radiator bracket | | | |
| 91.21.77.05 | 2.90 | Seal, inner wing - radiator cowl | | | |
| 91.15.01.05 | 10.00 | Seal, door, Mk1-2 | | | |
| 93.15.01.05 | 12.00 | Seal, door, Mk3 on | | | |
| 91.15.00.05 | 4.00 | Seal, draught excluder, door, Mk1 | | | |
| 91.16.00.05 | 15.00 | Seal, windscreen | | | |
| 91.16.00.15 | 14.00 | Seal, rear screen | | | |
| 11.86.01.05 | 4.50 | Filler, chrome, windscreen seal | | | |
| 99.42.11.05 | 3.75 | Grommet, petrol tank neck | | | |
| 11.12.01.05 | 8.00 | Seal, rear quarter window, Mk1-2 saloon (Opening) | EVERY EFFORT WAS MADE TO ENSURE CORRECT PRICING AT TIME OF PRINTING. PRICES ARE LIABLE TO FLUCTUATION AND ARE IN NO WAY GUARANTEED TO REMAIN FIXED FOR ANY PERIOD. VAT WILL BE CALCULATED AT THE RATE IN FORCE AT THE TIME OF SHIPPING (CURRENTLY 17.5%) | | |
| 13.12.01.05 | 10.00 | Seal, rear quarter window, Mk 3 (Opening) | | | |
| 13.12.01.15 | 10.00 | Seal, rear quarter window, (Fixed) | | | |
| 91.11.10.05 | 12.00 | Seal, rear door window, van & traveller | | | |
| 91.11.11.00 | 25.00 | Seal Set, rear door, van & traveller | | | |
| 91.35.03.05 | 13.00 | Gear Lever Gaiter, early | | | |
| 92.35.00.05 | 24.00 | Gear Lever Gaiter, remote shift | | | |
| 99.33.02.05 | 1.65 | Grommet, floor, large | | | |
| 99.33.03.05 | 1.65 | Grommet, floor, small | | | |
| 99.32.05.05 | 1.65 | Grommet, nipple shroud | | | |
| 99.32.06.05 | 2.50 | Plug, jacking point | | | |

★ = refurbished unit



All prices EXCLUDE delivery & VAT

Unit 6, Forge Way, Cleveland Trading Estate
 Darlington, Co. Durham, England, DL1 2PJ
 Tel. & Fax: (01325) 381300
 sales@m-machine.co.uk

SEALS
 SPACERS
 GROMMETS

-7

